

MAX-3

V2303.01



EP
Let's grow together

MAX-3

Innovation to Create New Market

CPC(D)20-35T3

CPQ(D)20-35T3

Diesel/Gasoline Forklift 2.0/2.5/3.0/3.5t

EP EQUIPMENT CO.,LTD
www.ep-eq.eu

CPC/Q(D)20T3

T3 series 2.0 forklift specification:

General		EP			
1	Manufacture				
2	Model				CPQ(D)20T3
3	Power type			Diesel	Diesel
4	Rated capacity		Kg	2000	2000
5	Load center		mm	500	500
6	Lift height	B	mm	3000	3000
7	Free lift height	E	mm	120	120
8	Fork size	L×W×T	mm	1070×120×40	1070×120×40
9	Mast tilt range	F/R	deg	6/10	6/10
10	Fork overhang(wheel center to fork face)	F/K (°)	mm	481	481
11	Rear overhang	M	mm	430	430
12	Length to face of fork	Y	mm	2510	2510
13	Overall width	Q	mm	1150	1150
14	Mast lowered height	C	mm	2050	2050
15	Mast extended height	A	mm	4200	4200
16	Overhead guard height	P	mm	2160	2160
17	Turning radius(outside)	R	mm	2170	2170
18	Travel (No load)		Km/h	20	20
19	Speed		mm/sec	450	450
20	Lifting (Full load)		mm/sec	400	400
21	Max. Drawbar Pull (Full load)		N	14000	14000
22	Max. Gradeability (Full load)		%	20	20
23	Tyres	Front	mm	700-12-12PR	700-12-12PR
24		Rear	mm	600-9-10PR	600-9-10PR
25	Tread	Front	mm	970	970
26		Rear	mm	970	970
27	Wheelbase	L	mm	1600	1600
28	Ground clearance	Lowest	mm	135/120	135/120
29		Wheelbase center	mm	160/145	160/145
30	Self weight		Kg	3380	3380
31		Front	Kg	4670	4670
32	Weight	Rear	Kg	710	710
33	Distribution	Front	Kg	1450	1450
34		Rear	Kg	1930	1930
35	Battery	Voltage/Capacity(20HR)	V/Ah	12/60	12/60
36	Modal	A498BT1-39		S4S	C240
37	Manufacture	XIN CHAI		Mitsubishi	ISUZU
38	Rated output/r.p.m		kw	35.3/2500	38.3/2300
39	Rated torque/r.p.m		N.m	166/1700	139/1800
40	No. of cylinder			4	4
41	Bore×Stroke		mm	95×105	96×102
42	Displacement		cc	2980	2663
43	Emission standard			EURIII	EURIII
44	Fuel tank capacity		L	70	60
45	Manufacture			OEM	OEM
46	Transmissions	Type		Mechanical / Powershift	Mechanical / Powershift
47		Stage		2/2	1/1
48	Operating pressure		Mpa	17.5	17.5

1.Special lifting height available (2-stage mast :2.5m,2.7m,3.0m,3.3m,3.5m,3.6m,3.7m,4m,4.3m,4.5m,5m. Full Free Duplex Mast 3.0m, 3.3m,3.5m,3.6m,4.0m. 3-stage mast : 4.3m,4.5m,4.8m,5m,5.5m,6m,6.5m,7.0m)
 2.Attachment available. 3.The specification in the table are for standard models only.For further information please contact us. 4.Specification are subject to change without notice.

CPC/Q(D)25T3

T3 series 2.5 forklift specification:

General		EP		EP		EP		EP	
1	2	CPC(D)25T3	CPC(D)25T3	CPC(D)25T3	CPC(D)25T3	CPC(D)25T3	CPC(D)25T3	CPC(D)25T3	CPQ(D)25T3
Model		Diesel	Diesel	Diesel	Diesel	Diesel	Diesel	Diesel	Gasoline
Power type		Diesel	Diesel	Diesel	Diesel	Diesel	Diesel	Diesel	Gasoline
Rated capacity		2500	2500	2500	2500	2500	2500	2500	2500
Load center		500	500	500	500	500	500	500	500
Lift height	B	3000	3000	3000	3000	3000	3000	3000	3000
Free lift height	E	120	120	120	120	120	120	120	120
Fork size	L×W×T	1070×120×40	1070×120×40	1070×120×40	1070×120×40	1070×120×40	1070×120×40	1070×120×40	1070×120×40
Mast lift range	F/R	6/10	6/10	6/10	6/10	6/10	6/10	6/10	6/10
Fork overhang(wheel center to fork face)	F/K (°)	481	481	481	481	481	481	481	481
Rear overhang	M	500	500	500	500	500	500	500	500
Length to face of fork	Y	2580	2580	2580	2580	2580	2580	2580	2580
Overall width	Q	1150	1150	1150	1150	1150	1150	1150	1150
Overall dimensions	C	2050	2050	2050	2050	2050	2050	2050	2050
Mast lowered height	A	4200	4200	4200	4200	4200	4200	4200	4200
Mast extended height	P	2160	2160	2160	2160	2160	2160	2160	2160
Overhead guard height	R	2240	2240	2240	2240	2240	2240	2240	2240
Turning radius(outside)		20	20	20	20	20	20	20	20
Travel (No load)		450	450	450	450	450	450	450	450
Speed	Lifting (Full load)	400	400	400	400	400	400	400	400
	Lowering (Full load)	14500	14500	14500	14500	14500	14500	14500	14500
Max. Drawbar Pull (Full load)		20	20	20	20	20	20	20	20
Max. Gradeability (Full load)		700-12-12PR	700-12-12PR	700-12-12PR	700-12-12PR	700-12-12PR	700-12-12PR	700-12-12PR	700-12-12PR
Tyres	Front	600-9-10PR	600-9-10PR	600-9-10PR	600-9-10PR	600-9-10PR	600-9-10PR	600-9-10PR	600-9-10PR
	Rear	970	970	970	970	970	970	970	970
Tread	U	970	970	970	970	970	970	970	970
	V	1600	1600	1600	1600	1600	1600	1600	1600
Wheelbase	L	135/120	135/120	135/120	135/120	135/120	135/120	135/120	135/120
Ground clearance	Lowest	160/145	160/145	160/145	160/145	160/145	160/145	160/145	160/145
Wheelbase center		3770	3770	3770	3770	3770	3770	3770	3770
Self weight		5480	5480	5480	5480	5480	5480	5480	5480
Full load		790	790	790	790	790	790	790	790
Rear		1410	1410	1410	1410	1410	1410	1410	1410
Front		2360	2360	2360	2360	2360	2360	2360	2360
No load		12/60	12/60	12/60	12/60	12/60	12/60	12/60	12/60
Rear		C490BFG-25	C490BFG-25	C490BFG-25	C490BFG-25	C490BFG-25	C490BFG-25	C490BFG-25	C490BFG-25
Voltage/Capacity(20HR)	Modal	XIN CHAI	XIN CHAI	XIN CHAI	XIN CHAI	XIN CHAI	XIN CHAI	XIN CHAI	XIN CHAI
Manufacture		35.3/2250	35.3/2250	35.3/2250	35.3/2250	35.3/2250	35.3/2250	35.3/2250	35.3/2250
Rated output/r.p.m		156/1700-1900	156/1700-1900	156/1700-1900	156/1700-1900	156/1700-1900	156/1700-1900	156/1700-1900	156/1700-1900
Rated torque/r.p.m		90×105	90×105	90×105	90×105	90×105	90×105	90×105	90×105
No. of cylinder		2670	2670	2670	2670	2670	2670	2670	2670
Bore×Stroke		EURIII	EURIII	EURIII	EURIII	EURIII	EURIII	EURIII	EURIII
Displacement		60	60	60	60	60	60	60	60
Emission standard		OEM	OEM	OEM	OEM	OEM	OEM	OEM	OEM
Fuel tank capacity		Mechanical / Powershift	Mechanical / Powershift	Mechanical / Powershift	Mechanical / Powershift	Mechanical / Powershift	Mechanical / Powershift	Mechanical / Powershift	Mechanical / Powershift
Manufacture		2/2	2/2	2/2	2/2	2/2	2/2	2/2	2/2
Type		17.5	17.5	17.5	17.5	17.5	17.5	17.5	17.5
Stage		17.5	17.5	17.5	17.5	17.5	17.5	17.5	17.5
Operating pressure									

1.Special lifting height available (2-stage mast :2.5m,2.7m,3.0m,3.3m,3.5m,3.6m,3.7m,4m,4.3m,4.5m,5m. Full Free Duplex Mast 3.0m,3.3m,3.5m,3.6m,4.0m. 3-stage mast : 4.3m,4.5m,4.8m,5m,5.5m,6m,6.5m,7.0m)
 2.Attachment available. 3.The specification in the table are for standard models only.For further information please contact us. 4.Specification are subject to change without notice.

CPC/Q(D)30T3

T3 series 3.0 forklift specification:

		EP			
		CPC(D)30T3	CPC(D)30T3	CPC(D)30T3	CPC(D)30T3
General	1 Manufacture				
	2 Model				CPQ(D)30T3
Characteristics & Dimensions	3 Power type		Diesel	Diesel	Diesel
	4 Rated capacity		3000	3000	3000
	5 Load center		500	500	500
	6 Lift height		3000	3000	3000
	7 Free lift height		120	120	120
	8 Fork size	L×W×T	1070×125×45	1070×125×45	1070×125×45
	9 Mast tilt range	F/R	6/10	6/10	6/10
	10 Fork overhang (wheel center to fork face)	K	481	481	481
	11 Rear overhang	M	500	500	500
	12 Length to face of fork	Y	2710	2710	2710
Performance	13 Overall width	Q	1230	1230	1230
	14 Mast lowered height	C	2070	2070	2070
	15 Mast extended height	A	4210	4210	4210
	16 Overhead guard height	P	2190	2190	2190
	17 Turning radius(outside)	R	2500	2500	2500
	18 Travel (No load)		20	20	20
Chassis	19 Lifting (Full load)		470	470	470
	20 Lowering (Full load)		400	400	400
	21 Max. Drawbar Pull (Full load)		21000	21000	21000
	22 Max. Gradeability (Full load)		20	20	20
	23 Tyres	Front	28×9-15-14PR	28×9-15-14PR	28×9-15-14PR
	24	Rear	6.50-10-10PR	6.50-10-10PR	6.50-10-10PR
Weight	25 Front	U	1010	1010	1010
	26 Rear	V	980	980	980
	27 Wheelbase	L	1750	1750	1750
	28 Ground clearance		150/120	150/120	150/120
	29 Wheelbase center		170/150	170/150	170/150
	30 Self weight		4120	4120	4120
Power & transmission	31 Full load		6420	6420	6420
	32 Weight Distribution		700	700	700
	33 Front		1720	1720	1720
	34 Rear		2400	2400	2400
	35 Battery	Voltage/Capacity(20HR)	12/80	12/60	12/60
	36	Model	A498BT1-39	S4S	C240
Operating pressure	37 Manufacture		XIN CHAI	Mitsubishi	ISUZU
	38 Rated output/r.p.m		36.8/2400	35.3/2250	34.5/2300
	39 Rated torque/r.p.m		186/1600-1800	166/1700	160/2300
	40 Engine	No of cylinder	4	4	4
	41	Bore×Stroke	95×105	94×120	86×102
	42	Displacement	2980	3331	2369
	43	Emission standard	EURIII	EURIII	EURIII
	44	Fuel tank capacity	L	70	70
	45	Manufacture		OEM	OEM
	46	Type		Mechanical / Powershift	Mechanical / Powershift
47	Stage		1/1	1/1	
48	Operating pressure		17.5	17.5	

1.Special lifting height available (2.5m,2.7m,3.0m,3.3m,3.5m,3.6m,3.7m,4m,4.3m,4.5m,5m. Full Free Duplex Mast 3.0m,3.3m,3.5m,3.6m,4.0m. 3-stage mast : 4.3m,4.5m,4.8m,5m,5.5m,6m,6.5m,7.0m)
 2.Attachment available. 3.The specification in the table are for standard models only,For further information please contact us. 4.Specification are subject to change without notice.

CPC/Q(D)35T3

T3 series 3.5 forklift specification:

		EP			
1	Manufacture		CPC(D)35T3	CPC(D)35T3	CPC(D)35T3
2	Model		Diesel	Diesel	Gasoline
3	Power type				
4	Rated capacity		3500	3500	3500
5	Load center		500	500	500
6	Lift height	B	3000	3000	3000
7	Free lift height	E	120	120	120
8	Fork size	LxWxT	1070x125x50	1070x125x50	1070x125x50
9	Mast lift range	F/R	6/10	6/10	6/10
10	Fork overhang(wheel center to fork face)	F/K (°)	481	481	481
11	Rear overhang	M	550	550	550
12		Y	2760	2760	2760
13	Overall dimensions	Q	1230	1230	1230
14		C	2070	2070	2070
15		A	4210	4210	4210
16		P	2190	2190	2190
17	Turning radius(outside)	R	2550	2550	2550
18	Travel (No load)	Km/h	20	20	20
19	Speed	Lifting (Full load)	460	460	460
20		Lowering (Full load)	400	400	400
21	Max. Drawbar Pull (Full load)	N	21000	21000	21000
22	Max. Gradeability (Full load)	%	20	20	20
23	Tyres	Front	28x9-15-14PR	28x9-15-14PR	28x9-15-14PR
24		Rear	6.50-10-10PR	6.50-10-10PR	6.50-10-10PR
25	Tread	U	1010	1010	1010
26		V	980	980	980
27	Wheelbase	L	1750	1750	1750
28	Ground clearance	Lowest	150/120	150/120	150/120
29		Wheelbase center	170/150	170/150	170/150
30	Self weight	kg	4400	4400	4400
31		kg	7140	7140	7140
32	Weight Distribution	kg	760	760	760
33		kg	1680	1680	1680
34	Battery	V/Ah	12/80	12/60	12/60
35		Voltage/Capacity(20HR)	A498BT1-39	S4S	TD27
36	Modal	Manufacture	XN CHAI	Mitsubishi	GCT
37		Rated output/r.p.m	36.8/2400	35.3/2250	38.5/2300
38		Rated torque/r.p.m	186/1600-1800	166/1700	160/2300
39	Engine	No. of cylinder	4	4	4
40		BorexStroke	95x105	94x120	96/92
41		Displacement	2980	3331	2663
42		Emission standard	EURIII	EURIII	/
43		Fuel tank capacity	70	70	60
44		Manufacture	OEM	OEM	OEM
45	Transmissions	Type	Mechanical / Powershift	Mechanical / Powershift	Mechanical / Powershift
46		Stage	2/2	1/1	1/1
47		Operating pressure	17.5	17.5	17.5
48					

1.Special lifting height available (2-stage mast :2.5m,2.7m,3.0m,3.3m,3.5m,3.6m,3.7m,4m,4.3m,4.4m,4.5m,5m. Full Free Duplex Mast 3.0m,3.3m,3.5m,3.6m,4.0m. 3-stage mast : 4.3m,4.5m,4.8m,5m,5.5m,6m,6.5m,7.0m)
 2.Attachment available. 3.The specification in the table are for standard models only.For further information please contact us. 4.Specification are subject to change without notice.

Mast Option

2.0-2.5tT3 series mast: (pneumatic)

Type	Model	Max. fork height	Overall height				Free lift		Front Overhang		Tilt range		Capacity			
			Lowered	Extended		Without backrest	With backrest	FWD			BWD	Load capacity at 500 mm				
				Without backrest	With backrest				Single tire			Double tire				
			mm	mm	mm	mm	mm	mm	mm	mm	Deg	Deg	kg	kg	kg	kg
Wide view mast	2W200	2000	1550	2630	3000	120	120	476	476	6	10	2000	2500	2000	2500	
	2W250	2500	1800	3130	3500	120	120	476	476	6	10	2000	2500	2000	2500	
	2W270	2700	1900	3330	3700	120	120	476	476	6	10	2000	2500	2000	2500	
	2W300	3000	2050	3630	4000	120	120	476	476	6	10	2000	2500	2000	2500	
	2W330	3300	2200	3930	4300	120	120	476	476	6	10	2000	2500	2000	2500	
	2W350	3500	2300	4130	4500	120	120	476	476	6	10	2000	2500	2000	2500	
	2W360	3600	2350	4230	4600	120	120	476	476	6	10	2000	2500	2000	2500	
	2W400	4000	2600	4630	5000	120	120	476	476	6	10	1900	2300	2000	2500	
	2W430	4300	2750	4930	5300	120	120	476	476	6	6	1800	2100	1950	2450	
2W450	4500	2850	5130	5500	120	120	476	476	6	6	1700	2000	1900	2400		
Wide view full 2-stage mast	2F250	2500	1785	3160	3500	1080	730	476	476	6	10	2000	2500	2000	2500	
	2F270	2700	1885	3360	3700	1180	830	476	476	6	10	2000	2500	2000	2500	
	2F300	3000	2035	3660	4000	1330	980	476	476	6	10	2000	2500	2000	2500	
	2F330	3300	2185	3960	4300	1480	1130	476	476	6	10	2000	2500	2000	2500	
	2F360	3600	2335	4260	4600	1630	1280	476	476	6	10	2000	2500	2000	2500	
	2F400	4000	2585	4660	5000	1880	1530	476	476	6	10	1900	2300	2000	2500	
Wide view full 3-stage mast	3F430	4300	2035	4970	5300	1360	1045	490	490	6	6	1700	2000	1900	2400	
	3F450	4500	2115	5170	5500	1440	1125	490	490	6	6	1600	1900	1800	2300	
	3F480	4800	2220	5470	5800	1545	1230	490	490	6	6	1500	1700	1700	2100	
	3F500	5000	2305	5670	6000	1630	1315	490	490	6	6	1400	1600	1600	2000	
	3F550	5500	2555	6170	6500	1880	1565	490	490	3	6	1050	1200	1500	1800	
	3F600	6000	2805	6670	7000	2130	1815	490	490	3	6	700	800	1400	1600	

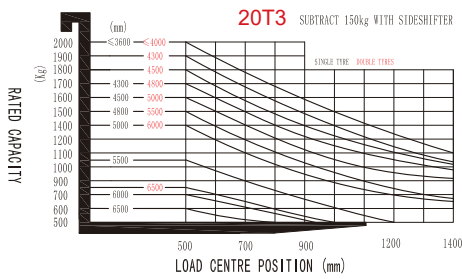
Note:1. With sideshifter minus 150Kg, with integral sideshifter minus 100Kg.

3.0-3.5t T3 series mast: (pneumatic)

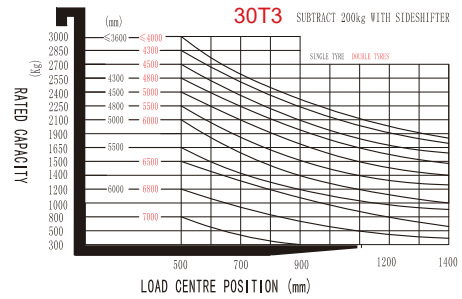
Type	Model	Max. fork height	Overall height				Free lift		Front Overhang		Tilt range		Capacity			
			Lowered	Extended		Without backrest	With backrest	FWD			BWD	Load capacity at 500 mm				
				Without backrest	With backrest				Single tire			Double tire				
			mm	mm	mm	mm	mm	mm	mm	mm	Deg	Deg	kg	kg	kg	kg
Wide view mast	2W200	2000	1570	2570	3250	120	120	481	486	6	10	3000	3000	3500	3500	
	2W250	2500	1820	3070	3750	120	120	481	486	6	10	3000	3000	3500	3500	
	2W270	2700	1920	3270	3950	120	120	481	486	6	10	3000	3000	3500	3500	
	2W300	3000	2070	3570	4250	120	120	481	486	6	10	3000	3000	3500	3500	
	2W330	3300	2220	3690	4370	120	120	481	486	6	10	3000	3000	3500	3500	
	2W350	3500	2320	3890	4570	120	120	481	486	6	10	3000	3000	3500	3500	
	2W360	3600	2370	3990	4670	120	120	481	486	6	10	3000	3000	3500	3500	
	2W400	4000	2620	4040	4720	120	120	481	486	6	10	2850	3000	3250	3500	
	2W430	4300	2770	4340	5020	120	120	481	486	6	6	2700	2900	3000	3400	
2W450	4500	2870	4290	4970	120	120	481	486	6	6	2550	2850	2850	3350		
Wide view full 2-stage mast	2F250	2500	1805	2220	2900	1210	560	481	486	6	10	3000	3000	3500	3500	
	2F270	2700	1905	2320	3000	1310	660	481	486	6	10	3000	3000	3500	3500	
	2F300	3000	2055	2620	3300	1460	810	481	486	6	10	3000	3000	3500	3500	
	2F330	3300	2205	3870	4550	1610	960	481	486	6	10	3000	3000	3500	3500	
	2F360	3600	2355	4020	4700	1760	1110	481	486	6	10	3000	3000	3500	3500	
	2F400	4000	2605	4420	5100	2060	1410	481	486	6	10	2850	3000	3250	3500	
Wide view full 3-stage mast	3F430	4300	2095	4910	5570	1360	730	495	500	6	6	2550	2850	2850	3350	
	3F450	4500	2175	5070	5750	1460	810	495	500	6	6	2400	2700	2700	3200	
	3F480	4800	2280	5375	6050	1565	915	495	500	6	6	2250	2550	2450	2950	
	3F500	5000	2365	5570	6250	1610	960	495	500	6	6	1650	2250	2300	2800	
	3F550	5500	2615	6150	6830	1770	1120	495	500	3	6	1800	2250	1800	2550	
	3F600	6000	2865	6570	7250	2020	1370	495	500	3	6	1200	2100	1300	2300	

Note:1. With sideshifter minus 200Kg, with integral sideshifter minus 150Kg.

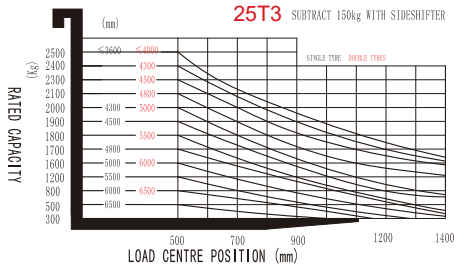
RATED CAPACITIES AND LOAD CENTERS GRAPH



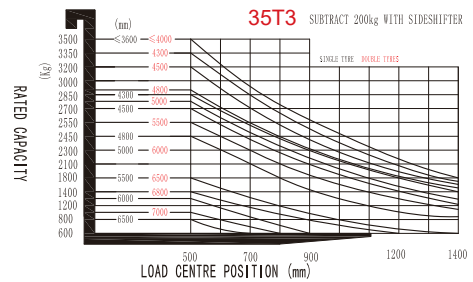
RATED CAPACITIES AND LOAD CENTERS GRAPH



RATED CAPACITIES AND LOAD CENTERS GRAPH



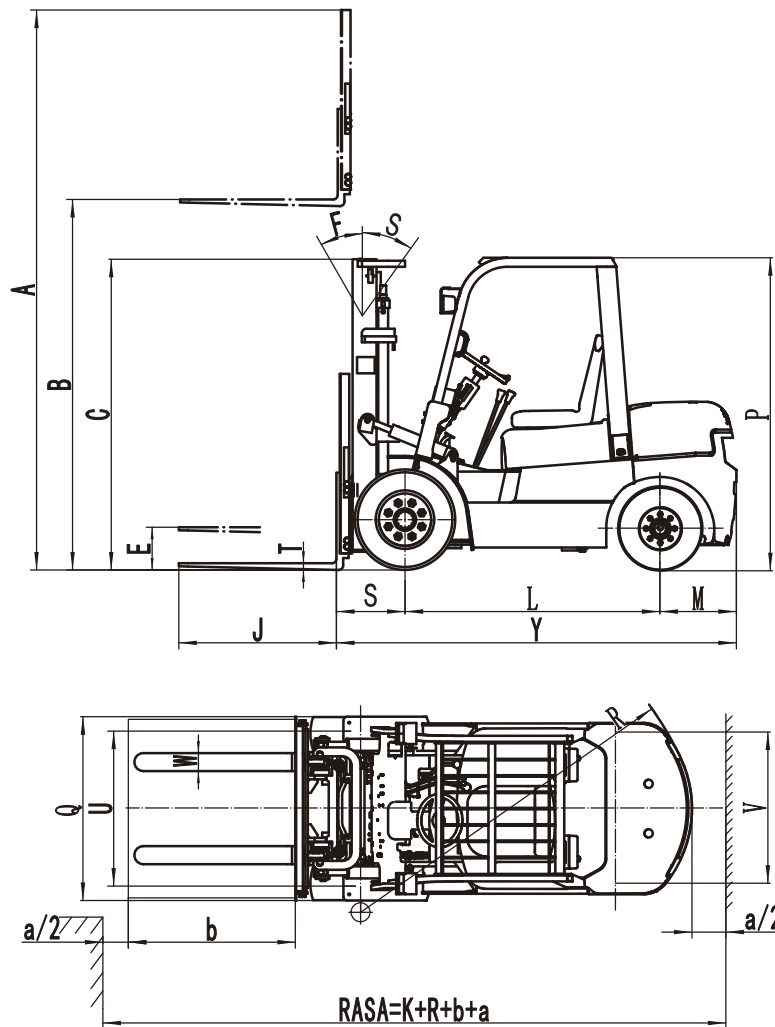
RATED CAPACITIES AND LOAD CENTERS GRAPH



Option

Options	20T3	25T3	30T3	35T3
1 Fork length	○	○	○	○
2 Fork extension	○	○	○	○
3 Folded fork	○	○	○	○
4 Imported diesel engine	○	○	○	○
5 Import Gasoline Engine	○	○	○	○
8 LPG system	○	○	○	○
9 High exhaust	○	○	○	○
10 Double air filtration	○	○	○	○
11 Solid rubber tire	○	○	○	○
12 No marking solid tire	○	○	○	○
14 Overhead guard	○	○	○	○
15 Mast options	○	○	○	○
16 Attachments	○	○	○	○
17 Integrated side shift	○	○	○	○
19 Cockpit	●	●	●	●
20 Heater	○	○	○	○
21 Front windshield with wiper	○	○	○	○
22 Rear windshield with wiper	○	○	○	○
23 Simple cabin room	○	○	○	○
24 LED lights	○	○	○	○
25 Fire extinguisher	○	○	○	○
26 Suspension seat	○	○	○	○
27 Seat switch	○	○	○	○
28 Warning light	○	○	○	○
29 Insulation mat	○	○	○	○
30 Double front tyre	○	○	○	○
31 Front work light	●	●	●	●
32 Rear working LED light	○	○	○	○
33 OPS system	○	○	○	○
34 fan	○	○	○	○

Note: ● standard ○ option — NA



WAELLER sp. z o.o. sp. k.

PL 83-034 Trąbki Wielkie, ul. Towarowa 1 • PL 80-457 Gdańsk, ul. Powstańców Wielkopolskich 11
Tel. (+48) 58 683 01 53, 58 691 27 15, 784 046 763, 601 642 339

biuro@ep-eq.pl • www.ep-eq.pl