

**MAX-8**

V2201.01



**EP**  
*Let's grow together*

# MAX-8

Excellent Performances & Reliability

## CPD15/18/20TV8

### Three-wheel Electric Forklift

### 1.5/1.8/2.0t

International Quality Components,  
Premium Configuration, Super Performance

**EP EQUIPMENT CO.,LTD**

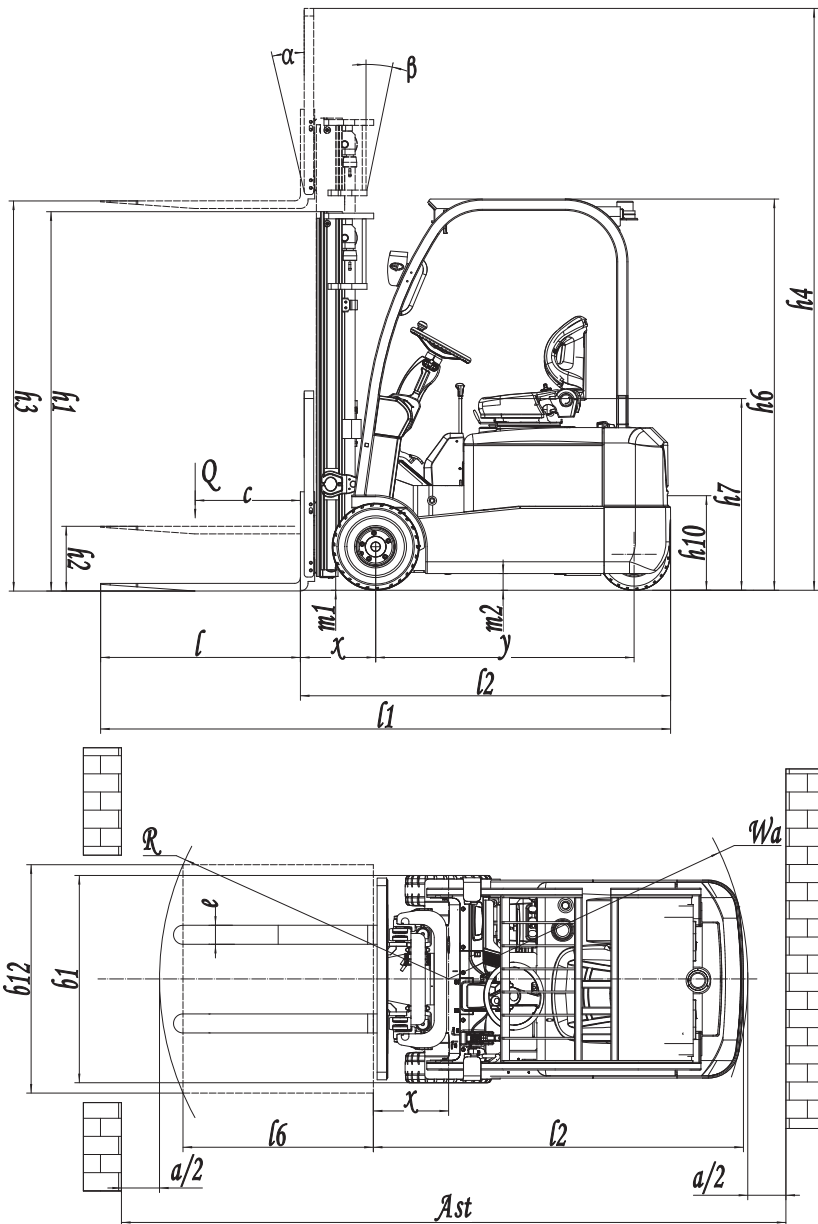
[www.ep-eq.eu](http://www.ep-eq.eu)

**CE**

# Three-wheel electric forklift 1.5/1.8/2.0t CPD15/18/20TV8

Distinguishing mark	1.1	Manufacturer			EP	EP	EP
	1.2	Model designation			CPD15TV8	CPD18TV8	CPD20TV8
	1.3	Drive			Electric	Electric	Electric
	1.4	Operator type			Seated	Seated	Seated
	1.5	Load capacity	Q	kg	1500	1800	2000
	1.6	Load center distance	c	mm	500	500	500
	1.8	Load distance, centre of drive axle to fork	x	mm	400	400	400
	1.9	Wheelbase	y	mm	1258	1358	1358
	Service weight	2.1	Service weight		kg	3050	3160
2.2		Axle loading, laden front/rear		kg	4215/335	4640/320	5050/380
2.3		Axle loading, unladen front/rear		kg	1570/1480	1620/1540	1750/1680
Tyres/chassis	3.1	Tyre type			Solid rubber	Solid rubber	Solid rubber
	3.2	Tyre size, front			18x7-8	18x7-8	200x50-10
	3.3	Tyre size, rear			15x4.5-8	15x4.5-8	15x4.5-8
	3.5	Wheels, number front/rear (x=drive wheels)		mm	2x, /2	2x, /2	2x, /2
	3.6	Tread width, front	b10	mm	902	902	936
Dimensions	4.1	Tilt of mast/fork carriage forward/backward	$\alpha/\beta$	$^{\circ}$	6/6	6/6	6/6
	4.2	Retracted mast height	h1	mm	1990	1990	1990
	4.3	Free lift	h2	mm	120	120	120
	4.4	Lift height	h3	mm	3000	3000	3000
	4.5	Height, mast extended	h4	mm	4058	4058	4058
	4.7	Height of overhead guard (cabin)	h6	mm	2060	2060	2060
	4.8	Seat height/standing height	h7	mm	1000	1000	1000
	4.12	Tow coupling height	h10	mm	475	475	475
	4.19	Overall length	l1	mm	2765	2865	2895
	4.20	Length to face of forks	l2	mm	1845	1945	1975
	4.21	Overall width	b1/b2	mm	1090	1090	1150
	4.22	Fork dimensions	s/e/l	mm	40x100x920	40x100x920	40x100x920
	4.23	A,B Fork carriage class/type A, B			2A	2A	2A
	4.24	Fork carriage width	b3	mm	1040	1040	1040
	4.31	Ground clearance, laden, below mast	m1	mm	108	108	108
	4.32	Ground clearance, center of wheelbase	m2	mm	78	78	78
	4.34.1	Aisle width for pallets 1000x1200 crossways	Ast	mm	3195	3295	3325
	4.34.2	Aisle width for pallets 800x1200 crossways	Ast	mm	3320	3420	3450
	4.35	Turning radius	Wa	mm	1475	1575	1605
Performance data	5.1	Travel speed, laden/unladen		km/h	13/14	13/14	13/14
	5.2	Lifting speed, laden/unladen		m/s	0.29/0.43	0.27/0.43	0.26/0.43
	5.3	Lowering speed, laden/unladen		m/s	0.44/0.435	0.44/0.435	0.44/0.435
	5.5	Drawbar pull, laden/unladen		N	—	—	—
	5.6	Max. drawbar pull, laden/unladen		N	—	—	—
	5.8	Max. gradeability, laden/unladen		%	10.5/14.5	10.5/14.5	10.5/14.5
	5.10	Service brake			Hydraulic	Hydraulic	Hydraulic
5.11	Parking brake			Mechanical	Mechanical	Mechanical	
Electric-engine	6.1	Drive motor rating S2 60 min		kW	4.8x2	4.8x2	4.8x2
	6.2	Lift motor rating at S3 15%		kW	11	11	11
	6.4	Battery voltage/nominal capacity		V/Ah	48/400	48/500	48/600
	6.5	Battery weight		kg	708	856	933
Addition data	8.1	Type of drive control			AC	AC	AC
	10.5	Steering design			Hydraulic	Hydraulic	Hydraulic
	10.7	Sound pressure level at the driver's ear		dB(A)	68	70	74

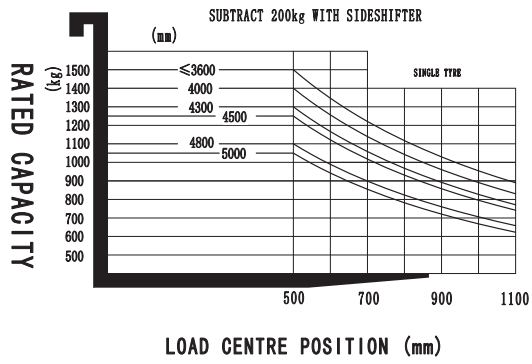
If there are improvements of technical parameters or configurations, no further notice will be given.  
The diagram shown may contain non-standard configurations.



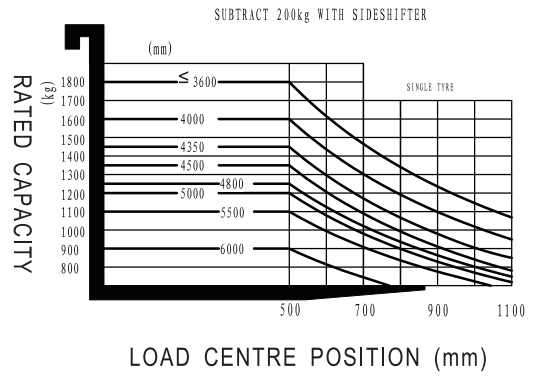
## Mast Option

Mast types	Lift height ( h3 )	Height, Mast			Height, Free lift(h2)	
		Height, mast lowered(h1)	Height, mast extended(h4)		No shelving	With shelving
			No shelving	With shelving		
	mm	mm	mm	mm	mm	mm
2-Standard Mast	3000	1990	3515	4058	120	120
	3300	2140	3815	4358	120	120
	3600	2290	4115	4658	120	120
	4000	2540	4515	5058	120	120
2-Free Mast	3000	2023	3515	4058	1508	965
	3300	2173	3815	4358	1658	1115
	3600	2323	4115	4658	1808	1265
3-Free Mast	4500	2043	5024	5558	1499	985
	4800	2143	5324	5858	1599	1085
	5000	2208	5524	6058	1664	1150
	5500	2378	6024	6558	1834	1320
	6000	2593	6524	7058	2049	1535

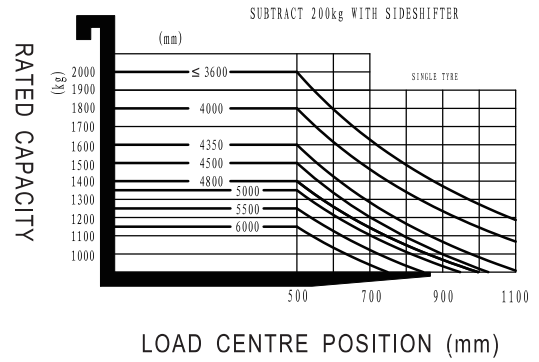
CPD15TV8 RATED CAPACITIES GRAPH



CPD18TV8 RATED CAPACITIES GRAPH



CPD20TV8 RATED CAPACITIES GRAPH



# Option

No.	Optional items	CPD15TV8
1.1	Fork dimension	○900*600、2A、100*40*920 ○900*600、2A、100*40*1070 ○900*600、2A、100*40*1150 ○900*600、2A、100*40*1220 ○900*600、2A、100*40*1370
1.3	Fork lowered height	●40mm(1.6in)
1.4	Fork carriage width	●1068mm(42in)
1.5	Fork carriage height	●1066mm(42in)
2.4	Front wheel type	●Single
2.5	Front wheel material	●Solid○Non-marking tyres
2.6	Rear wheel material	●Solid○Non-marking tyres
2.7	Battery capacity	○48V400Ah○48V500Ah
2.8	Charger	○48V60AExternal○48V70AExternal
2.9	Battery indicator	●With time
2.10	Seat type	●Premium○Suspension○Suspension+safety logic switch
2.11	Attachments	●No○Built-in sideshifter○External shifter○Fork positioner
2.13	Traction pin	●Yes and not customized
2.14	Electrostatic chain	●No
3.1	Foldable fork	●No
3.2	Fork carriage	●Yes and not customized
3.4	Water auto-filling system	●No
3.5	Front lamp	●LED
3.6	Rear lamp	●No
3.7	Warning lamp	●Rear warning light
3.8	Steering lamp	●LED
3.9	Blue spot	●No○1 rear
3.10	Area warning lamp	●No○1 left + 1 right (Red)
3.11	Rearview mirror	●Yes and not customized
3.12	Buzzer	●Back buzzer
3.13	Height display	●No
3.14	Camera	●No
3.15	Fire extinguisher	●No
3.17	OPS system	●No○Yes and not customized
3.19	USB interface	●No
3.21	Electronic sale	●No
3.22	Electronic sale with print	●No
3.23	Remote monitoring	●No
4.1	Battery side pull function	●No
4.2	Cold storage	●No○Yes and not customized
4.3	Cabin	●No
4.4	Weighting system with fork	●No
4.5	Proportional lift system	●No
4.6	Forks tilt forward and backward	●Yes and not customized
4.7	Overhead guard	●Yes and not customized

Note: ●Standard ○ Optional - Inconformity

# Option

No.	Optional items	CPD18TV8	CPD20TV8
1.1	Fork dimension	<ul style="list-style-type: none"> <li>○900*600、2A、100*40*920</li> <li>○900*600、2A、100*40*1070</li> <li>○900*600、2A、100*40*1150</li> <li>○900*600、2A、100*40*1220</li> <li>○900*600、2A、100*40*1370</li> </ul>	<ul style="list-style-type: none"> <li>○1000*600、2A、122*40*920</li> <li>○1000*600、2A、122*40*1070</li> <li>○1000*600、2A、122*40*1150</li> <li>○1000*600、2A、122*40*1220</li> <li>○1000*600、2A、122*40*1370</li> <li>○1000*600、2A、122*40*1500</li> </ul>
1.3	Fork lowered height	●40mm(1.6in)	●40mm(1.6in)
1.4	Fork carriage width	●1068mm(42in)	●1068mm(42in)
1.5	Fork carriage height	●1066mm(42in)	●1066mm(42in)
2.4	Front wheel type	●Single	●Single
2.5	Front wheel material	●Solid○Non-marking tyres	●Solid○Non-marking tyres
2.6	Rear wheel material	●Solid○Non-marking tyres	●Solid○Non-marking tyres
2.7	Battery capacity	○48V500Ah○48V600Ah	○48V500Ah○48V600Ah
2.8	Charger	○48V60A External○48V70A External○48V80A External	○48V60A External○48V70A External○48V80A External
2.9	Battery indicator	●With time	●With time
2.10	Seat type	●Premium○Suspension○Suspension+safety logic switch	●Premium○Suspension○Suspension+safety logic switch
2.11	Attachments	●No○Built-in sideshifter○External shifter○Fork positioner	●No○Built-in sideshifter○External shifter○Fork positioner
2.13	Traction pin	●Yes and not customized	●Yes and not customized
2.14	Electrostatic chain	●No	●No
3.1	Foldable fork	●No	●No
3.2	Fork carriage	●Yes and not customized	●Yes and not customized
3.4	Water auto-filling system	●No	●No
3.5	Front lamp	●LED	●LED
3.6	Rear lamp	●No	●No
3.7	Warning lamp	●Rear warning light	●Rear warning lamp
3.8	Steering lamp	●LED	●LED
3.9	Blue spot	●No○1 rear	●No○1 rear
3.10	Area warning lamp	●No○1 left + 1 right (Red)	●No○1 left + 1 right (Red)
3.11	Rearview mirror	●Yes and not customized	●Yes and not customized
3.12	Buzzer	●Back buzzer	●Back buzzer
3.13	Height display	●No	●No
3.14	Camera	●No	●No
3.15	Fire extinguisher	●No	●No
3.17	OPS system	●No○Yes and not customized	●No○Yes and not customized
3.19	USB interface	●No	●No
3.21	Electronic sale	●No	●No
3.22	Electronic sale with print	●No	●No
3.23	Remote monitoring	●No	●No
4.1	Battery side pull function	●No	●No
4.2	Cold storage	●No○Yes and not customized	●No○Yes and not customized
4.3	Cabin	●No	●No
4.4	Weighting system with fork	●No	●No
4.5	Proportional lift system	●No	●No
4.6	Forks tilt forward and backward	●Yes and not customized	●Yes and not customized
4.7	Overhead guard	●Yes and not customized	●Yes and not customized

Note: ●Standard ○ Optional - Inconformity

## WAELLER sp. z o.o. sp. k.

PL 83-034 Trąbki Wielkie, ul. Towarowa 1 • PL 80-457 Gdańsk, ul. Powstańców Wielkopolskich 11

Tel. (+48) 58 683 01 53, 58 691 27 15, 784 046 763, 601 642 339

biuro@ep-eq.pl • www.ep-eq.pl