

EP
Let's grow together

LI-ION
TECHNOLOGY



CQE15S

Electric Scissor Lift Reach Truck 1.5t

- Scissor forks allowing for picking and stacking in deep racking system
- Great maneuverability in narrow spaces thanks to turtle speed
- Standard proportional lifting system ensuring precise lifting
- Powerful AC vertical traction motor
- Li-ion battery option for user need

EP EQUIPMENT CO.,LTD
www.ep-eq.eu

CE

FEATURE

Performance

- The innovative AC system offers strong power, accurate control, excellent performance.
- High strength vertical gearbox, longer working life.
- Low-noise but durable hydraulic unit, good quality cylinder as well as hose ensure the high reliability of hydraulic system.
- AMP connector and durable electric wires greatly reduce malfunctions of components.
- CJ shape mast channel improves the strength of the whole truck.
- Applied with electric valve on & better heat releasing systems support long time operation.

Safety

- Safe hydraulic system design prevents mast from falling down abruptly when hydraulic pipeline cuts off.
- Emergency reverse belly button protects the operator from getting hurt.
- Emergency disconnecter will cut off power source to avoid accident when truck goes out of control.
- Multiple lifting limit protection ensures safety.
- Automatic switch to lower speed when the fork reaches its setting height.
- Anti-rolling back brake keeps the truck from skidding down when truck is out of control or travelling on ramp.
- Electric valve will be locked up when power is cut off.
- Dual monitoring power steering.

Operation

- With the new design of ergonomical tiller head, all buttons can be reached conveniently & comfortably.
- Foldable platform reduces vibration which makes operator feel more comfortable.
- Compact design, flexible and operational.
- When platform is folded, truck can work at low speed in smaller space.
- Side-open battery design for easy battery replacement and various applications.
- Electric proportional valve equipped as standard feature.
- Electric power steering, smooth & comfortable (EPS).

Maintenance

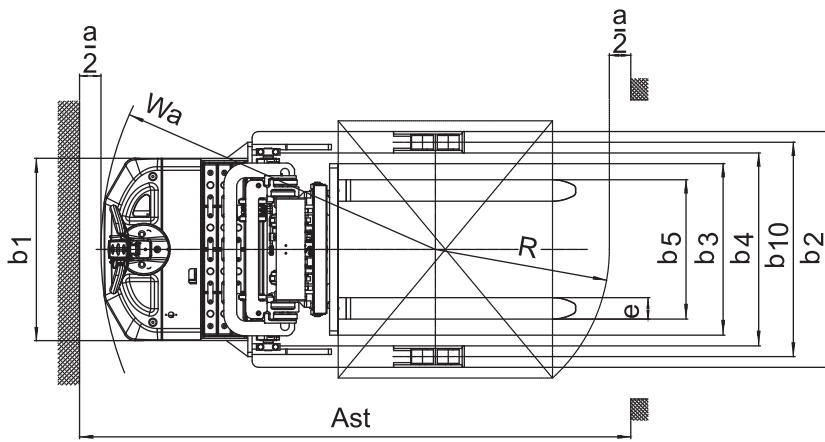
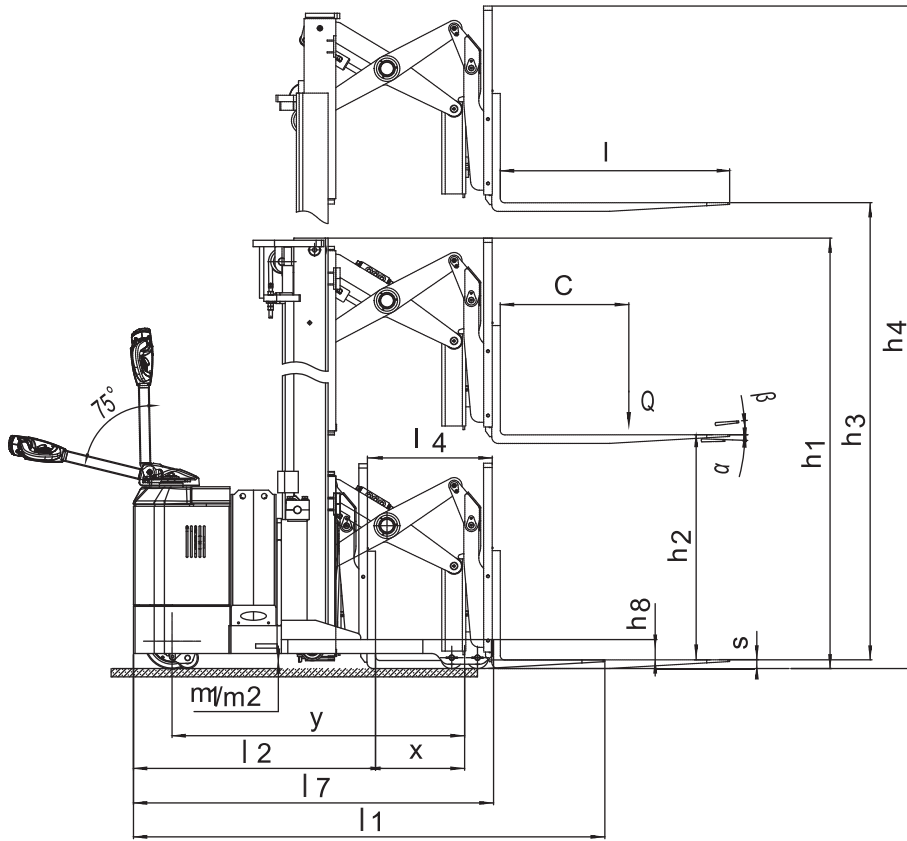
- AC traction motor, maintenance free.
- Hour meter and battery indicator remind the operator of battery charging.
- Easily remove the back cover by only loosening two bolts; Access to all key components for inspection, maintenance and replacement.
- Vertical motor makes the inspection & service much more convenient.
- Control system allows easy trouble-shooting.
- Low voltage cut off setting protects batteries.



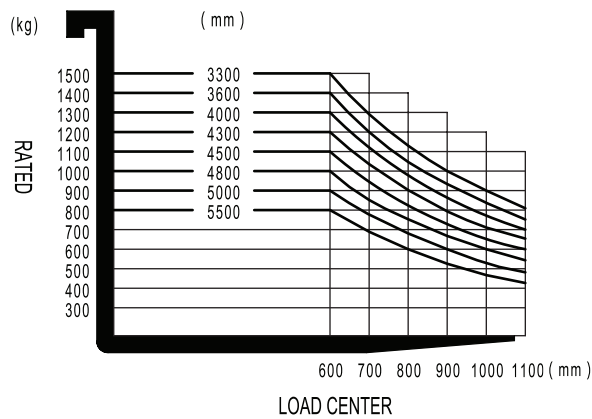
Electric Reach Truck 1.5t CQE15S

Distinguishing mark	1.1	Manufacturer			EP
	1.2	Model designation			CQE15S
	1.3	Drive unit			Electric
	1.4	Operator type			Standing
	1.5	Rated capacity	Q	kg	1500
	1.6	Load center distance	c	mm	600
	1.8	Load distance, centre of drive axle to fork	x	mm	420
	1.9	Wheelbase	y	mm	1395
	Service weight	2.1	Service weight		kg
2.3.1		Axle loading, unladen front/rear		kg	1250/615
2.4.1		Axle loading, fork advanced, laden front/rear		kg	310/3055
2.5.1		Axle loading, fork retracted, laden front/rear		kg	1075/2290
Tyre/chassis	3.1	Tyre type			Polyurethane
	3.2.1	Tyre size, front		mm	Φ260×105
	3.3.1	Tyre size, rear		mm	Φ102×73
	3.4	Additional wheels		mm	Φ100×73
	3.5.1	Wheels, number front/rear (x=drive wheels)		mm	1×/4
	3.6	Tread, front	b10	mm	—
	3.7	Tread, rear	b11	mm	1000
Dimensions	4.1	Tilt of mast/fork carriage forward/backward	α/β	°	2/4
	4.2	Height, mast lowered	h1	mm	2090 ^②
	4.3	Free lift	h2	mm	0 ^②
	4.4	Lift height	h3	mm	3000 ^②
	4.5	Height, mast extended	h4	mm	3960 ^②
	4.7	Height of overhead/ guard cabin	h6	mm	—
	4.8	Seat height/standing height	h7	mm	150
	4.10	Height of wheel arms	h8	mm	135
	4.19	Overall length	l1	mm	2340 ^③
	4.20	Length to face of forks	l2	mm	1270
	4.21	Overall width	b1/b2	mm	850/1100
	4.22	Fork dimensions	s/e/l	mm	40/100/1070
	4.23	A,B Fork carriage class/type A, B			2A
	4.24	Fork carriage width	b3	mm	800
	4.25	Distance between fork-arms	b5	mm	200-780
	4.26	Distance between wheel arms/loading surfaces	b4	mm	900
	4.28	Reach distance	l4	mm	590
	4.31	Ground clearance, laden, below mast	m1	mm	70
	4.32	Ground clearance, center of wheelbase	m2	mm	70
	4.34.1	Aisle width for pallets 1000×1200 crossways	Ast	mm	2695 ^③
4.34.2	Aisle width for pallets 800×1200 crossways	Ast	mm	2730 ^③	
4.35	Turning radius	Wa	mm	1690	
4.37	Length across wheel arms	l7	mm	1820	
Performance data	5.1	Travel speed, laden/unladen		km/h	5.5/6
	5.2	Lifting speed, laden/unladen		m/s	0.11/0.14
	5.3	Lowering speed, laden/unladen		m/s	0.24/0.24
	5.4	Reaching speed, laden /unladen		m/s	0.12/0.12
	5.8	Max. gradeability, laden/unladen		%	6/10
	5.10	Service brake			Electromagnetic
5.11	Parking brake			Electromagnetic	
Electric-engine	6.1	Drive motor rating S2 60 min		kW	3.3
	6.2	Lift motor rating at S3 15%		kW	3
	6.4	Battery voltage/nominal capacity		V/Ah	24/280 ^④
	6.5	Battery weight		kg	230 ^④
Addition data	8.1	Type of drive unit			AC
	10.5	Steering design			Electronic
	10.7	Sound pressure level at the driver's ear		dB(A)	74

If there are improvements of technical parameters or configurations, no further notice will be given.
The diagram shown may contain non-standard configurations.



RATED CAPACITIES GRAPH



Mast Option

①Service weight (include battery)			
Mast height (mm)	Service weight (kg)	Mast height (mm)	Service weight (kg)
2-stage mast		3-stage mast	
2700	1855	3550	2080
3000	1865	4000	2095
3300	1875	4300	2105
3600	1885	4500	2110
4000	1895	4800	2120
4300	1905	5000	2125
—	—	5500	2140

②Mast

Mast types	Lift height (h3)	Height, Mast			Height, Free lift(h2)	
		Height, mast lowered(h1)	Height, mast extended(h4)		No backrest	With backrest
	mm		mm	mm		
2-Standard Mast	2700	1940	3660	3660	0	0
	3000	2090	3960	3960	0	0
	3300	2240	4260	4260	0	0
	3600	2390	4560	4560	0	0
	4000	2590	4960	4960	0	0
	4300	2740	5260	5260	0	0
3-Free Mast	4000	1960	4955	4955	1000	1000
	4500	2130	5455	5455	1170	1170
	4800	2230	5760	5760	1270	1270
	5000	2295	5960	5960	1335	1335
	5500	2460	6460	6460	1500	1500

③Dimensions(mm)

		2-stage mast	3-stage mast
Overall length (minimum)	l1	2340	2350
Aisle width for pallets 1000×1200 crossways	Ast	2695	2705
Aisle width for pallets 800×1200 lenthways	Ast	2730	2750
Aisle width for pallets 1000×1200 lenthways	Ast	2785	2795
Aisle width for pallets 800×1200 crossways	Ast	2580	2585

④Battery

CQE15S	standard	option	option	option
Capacity (V/ Ah)	280	210	224 (maintenance free battery)	360
Battery weight (kg)	230	190	150	300

Option

No.	Optional items	CQE15S
1.1	Fork dimension	●900*600、2A、100*40*1070○900*600、2A、100*40*920 ○900*600、2A、100*40*1150○900*600、2A、100*40*1220 ○900*600、2A、100*40*1370
1.2	Leg width	●860○900○1070○1170○1220○1270
1.4	Fork carriage width	●780mm
1.5	backrest height	●934mm(710)○1139mm(915)○1444mm(1220)
2.1	Load wheel type	●Double○Single
2.2	Load wheel material	●Polyurethane
2.3	Drive wheel material	●Polyurethane
2.7	Battery capacity	●No○280Ah○360Ah○224Ah AGM○205Ah-Li
2.8	Charger	●No○24V-30A External○24V-40A External○24V-50A External○24V-25A Internal ○24V-27.1A-Li Internal○24V-50A-Li External○24V-100A-Li External
2.9	Battery indicator	●With time
2.11	Attachments	●No○Built-in sideshifter
2.16	handle head type	●Hands big handle head
3.3	Castor wheels	●No(No pedal)○Yes(With padel)○No(With anti-pinch feet)
3.4	Water auto-filling system	●No○Yes
3.23	Telematics	●No○Yes and not customized
4.1	Battery side pull function	●No○Yes and not customized
4.2	Cold storage	●No○Yes and not customized
4.5	Proportional lift system	●Yes
4.6	Forks tilt forward and backward	●Yes
5.1	Battery side pull attachment	●No○Side pull trolley

Note: ●Standard ○ Optional - Inconformity

WAELLER sp. z o.o. sp. k.

PL 83-034 Trąbki Wielkie, ul. Towarowa 1 • PL 80-457 Gdańsk, ul. Powstańców Wielkopolskich 11

Tel. (+48) 58 683 01 53, 58 691 27 15, 784 046 763, 601 642 339

biuro@ep-eq.pl • www.ep-eq.pl