



# EFS 101

## 990KG Electric Counterbalance Forklift

- Compact size and light weight
- User-centric design
- Integrated charger
- Market-proven and mature components

**EP EQUIPMENT CO.,LTD**  
[www.ep-eq.eu](http://www.ep-eq.eu)

## FEATURE

### ■ Compact size and light weight

The EFS101 features compact chassis, which is significantly smaller than ones with the same tonnage in the industry. It is optimized for the flexibility in narrow space thanks to its short turning radius 1278mm. In addition, operators can take advantages of its light weight 1650kg to cover cargo lift and mezzanine usage.



### ■ User-centric design

The EFS101 ensures high ground clearance compared to regular forklifts with same tonnage and can ride smoothly on uneven surfaces. Operators can drive the EFS101 comfortably due to the ergonomic foot pedal design. The EFS101 also comes with the electronic power steering system, which provides a precise operation and enhances great maneuverability.



### ■ Integrated charger

The EFS101 is equipped with a 24V-25A integrated charger, which offers operators convenience and flexibility in daily usage.



### ■ Market-proven and mature components

The EFS101 uses market-proven spare parts, which promise safety and reliability. It comes with a 24V/220AH long-lasting AGM battery and the Curtis Controller, which helps increase efficiency and reduce operation costs.

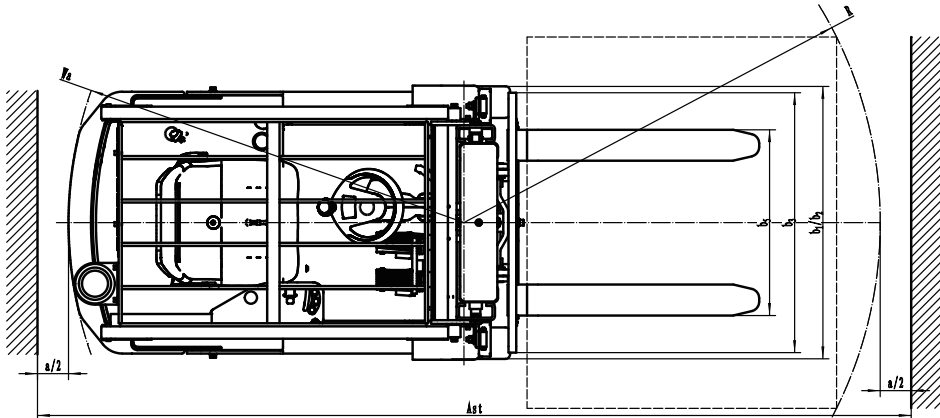
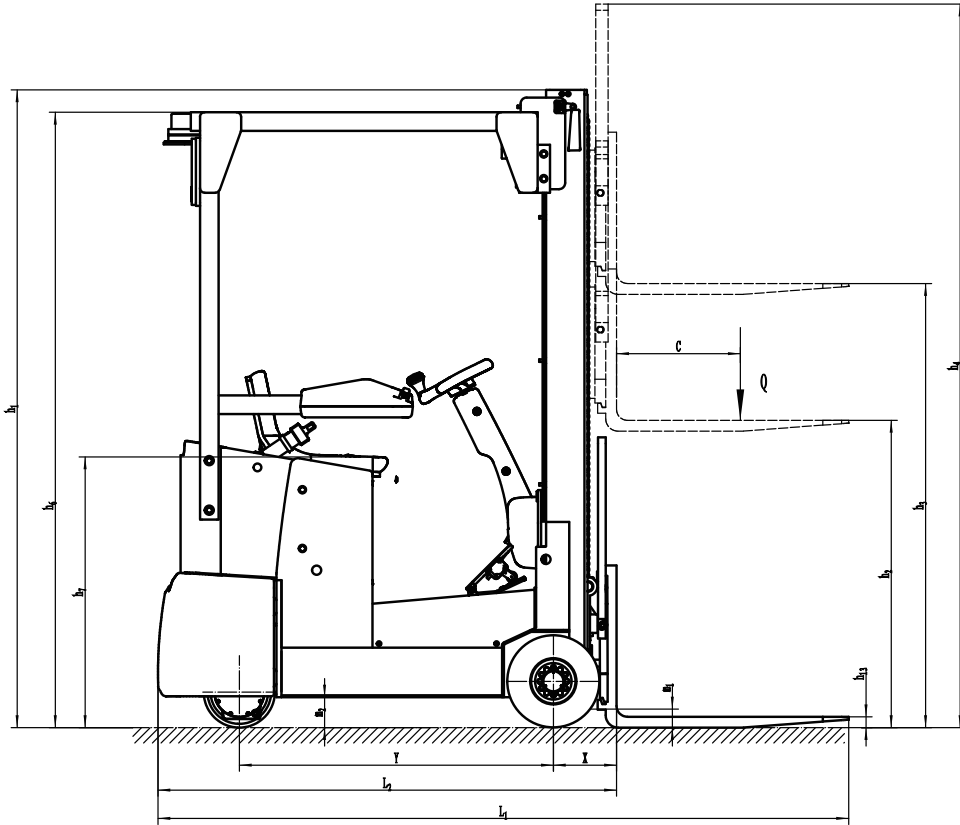


# 990KG Electric Counterbalance Forklift

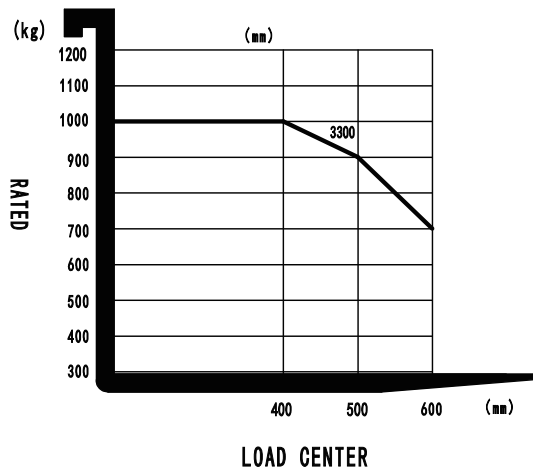
## EFS101

Distinguishing mark	1.1	Manufacturer			EP
	1.2	Model designation			EFS101
	1.3	Drive unit			Electric
	1.4	Operator type			Seated
	1.5	rated capacity	Q	kg	990
	1.6	Load center distance	c	mm	400
	1.8	Load distance, centre of drive axle to fork	x	mm	204
	1.9	Wheelbase	y	mm	1015
	Service weight	2.1	Service weight		kg
2.2		Axle loading, laden front/rear		kg	2150/360
2.3		Axle loading, unladen front/rear		kg	920/900
Tyres/chassis	3.1	Tyre type			Polyurethane/Solid rubber
	3.2	Tyre size, front			3.50-5
	3.3	Tyre size, rear			230×90
	3.5	Wheels, number front/rear (x=drive wheels)		mm	1x./2
	3.6	Tread, front	b10	mm	779
	3.7	Tread, rear	b11	mm	—
	Dimensions	4.1	Tilt of mast/fork carriage forward/backward	$\alpha/\beta$	°
4.2		Height, mast lowered	h1	mm	2061
4.3		Free lift	h2	mm	—
4.4		Lift height	h3	mm	3000
4.5		Height, mast extended	h4	mm	3908
4.7		Height of overhead/ guard cabin	h6	mm	1988
4.8		Seat height/standing height	h7	mm	878
4.12		Tow coupling height	h10	mm	—
4.19		Overall length	l1	mm	2402
4.20		Length to face of forks	l2	mm	1482
4.21		Overall width	b1/b2	mm	894
4.22		Fork dimensions	s/e/l	mm	35×100×920
4.23		A,B Fork carriage class/type A, B			2A
4.24		Fork carriage width	b3	mm	840
4.31		Ground clearance, laden, below mast	m1	mm	60
4.32		Ground clearance, center of wheelbase	m2	mm	98
4.34.1		Aisle width for pallets 1000×1200 crossways	Ast	mm	2824
4.34.2		Aisle width for pallets 800×1200 crossways	Ast	mm	2938
4.35		turning radius	Wa	mm	1278
Performance data	5.1	Travel speed, laden/unladen		km/h	6/8
	5.2	Lifting speed, laden/unladen		m/s	0.13/0.2
	5.3	Lowering speed, laden/unladen		m/s	0.16/0.15
	5.5	Drawbar pull, laden/unladen		N	—
	5.6	Max. drawbar pull, laden/unladen		N	—
	5.8	Max. gradeability, laden/unladen		%	—
	5.10	Service brake			Electromagnetic
5.11	Parking brake			Electromagnetic	
Electric-engine	6.1	Drive motor rating S2 60 min		kW	1.6
	6.2	Lift motor rating at S3 15%		kW	2.2
	6.4	Battery voltage/nominal capacity		V/Ah	24/220
	6.5	Battery weight		kg	140
Addition data	8.1	Type of drive unit			AC
	10.5	Steering design			Electronic
	10.7	ound pressure level at the driver's ear		dB(A)	74

If there are improvements of technical parameters or configurations, no further notice will be given.  
The diagram shown may contain non-standard configurations.



### RATED CAPACITIES GRAPH



## Mast Option

Mast types	Lift height ( h3 )	Height, Mast			Height, Free lift(h2)	
		Height, mast lowered(h1)	Height, mast extended(h4)		No backrest	With backrest
	No backrest		With backrest	mm		
	mm	mm	mm		mm	mm
2 Stage Standard Mast	3000	2061	3494	3908	—	—
2 Stage Standard Mast	2700	1911	3194	3608	—	—
2 Stage Standard Mast	2500	1811	2994	3408	—	—

## Option

No.	Optional items	EFS101
1.1	Fork length	●920○1070
2.2	Load wheel material	●Rubber
2.3	Drive wheel material	●PU
2.7	Battery capacity	●220Ah
2.8	Charger	●24V-25A Internal
2.9	Battery indicator	●With time
2.11	Attachments	●No
3.1	Folding fork	●No○Yes and can be customized

Note: ●Standard ○ Optional - Inconformity

**WAELLER sp. z o.o. sp. k.**

PL 83-034 Trąbki Wielkie, ul. Towarowa 1 • PL 80-457 Gdańsk, ul. Powstańców Wielkopolskich 11

Tel. (+48) 58 683 01 53, 58 691 27 15, 784 046 763, 601 642 339

biuro@ep-eq.pl • www.ep-eq.pl