



EPT20-15ET2

Electric Pallet Truck 1.5t

- Small size, light service weight, simple operation;
- Energy-saving and environmental, lower cost;
- More convenient for maintenance.

EP EQUIPMENT CO.,LTD
www.ep-eq.eu



FEATURE

■ Light Weight, Great Capacity, Great Passingability:

Light weight & compact size create excellent maneuverability & passingability. 1500KG capacity handles most applications.



■ External Control System:

The external control system not only protects controller in place but also provides easy access for maintenance.

■ Optimized Harness Layout:

Optimized wire harness layout lowers twist failure rate.

■ Front Detachable Battery Cover:

Innovative Design, Easy for Battery Replacement.

■ Emergency Switch:

Upgraded emergency switch ensures safety.

■ Cover for Driving Wheel:

Strong cover for driving wheel ensures the safety of the operator.

■ Charger:

Upper-installed Charger, Better Heat-Exhausting, Higher Charging Efficiency



▣ Attachments



■ Electric Scale

With handling and weighing combined, the electric scale optimizes the operation process and improve efficiency.



■ Cargo Backrest

Safety is the biggest concern and the cargo backrest provides falling item prevention and great safety assurance.



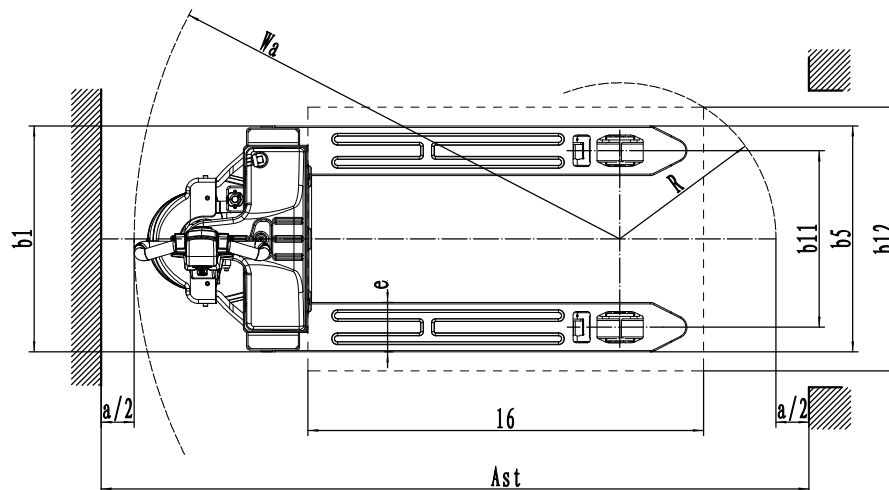
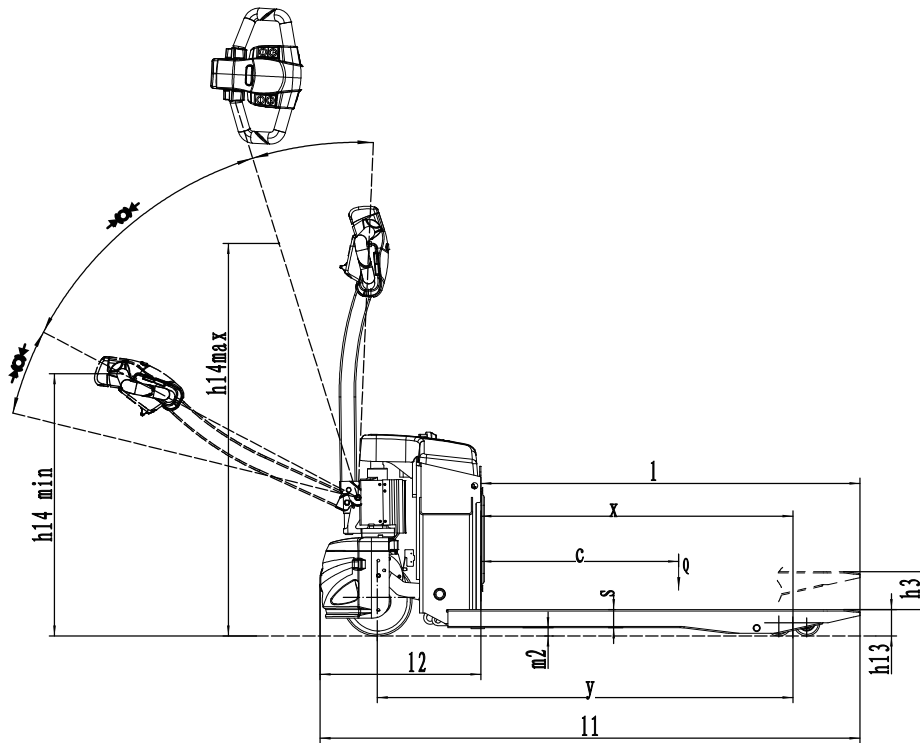
■ Storage Box

This allows to keep everything easily accessible on the go and offers more convenience for daily usage

Electric Pallet Truck 1.5t EPT20-15ET2

Distinguishing mark	1.1	Manufacturer			EP
	1.2	Model designation			EPT20-15ET2
	1.3	Drive			Electric
	1.4	Operator type			Pedestrian
	1.5	Load capacity	Q	kg	1500
	1.6	Load center distance	c	mm	600
	1.8	Load distance, centre of drive axle to fork	x	mm	883/946
	1.9	Wheelbase	y	mm	1202/1261
	Service weight	2.1	Service weight		kg
2.2		Axle loading, laden front/rear		kg	567/1128
2.3		Axle loading, unladen front/rear		kg	155/40
Tyres/chassis	3.1	Tyre type			Polyurethane
	3.2.1	Tyre size, front		mm	Φ210x70
	3.3.1	Tyre size, rear		mm	Φ80x61
	3.4	Additional wheels (castor wheels)		mm	—
	3.5	Wheels, number front/rear (x=drive wheels)		mm	1x, —/4
	3.6.1	Tread width, front	b10	mm	—
	3.7.1	Tread width, rear	b11	mm	410(535)
	4.4	Lift height	h3	mm	115
Dimensions	4.9	Height of tiller handle in drive position min./max.	h14	mm	750/1170
	4.15	Lowered height	h13	mm	80
	4.19	Overall length	l1	mm	1638
	4.20	Length to face of forks	l2	mm	488
	4.21	Overall width	b1/b2	mm	560(685)
	4.22	Fork dimensions	s/e/l	mm	50/150/1150
	4.25	Distance between fork-arms	b5	mm	560(685)
	4.32	Ground clearance, center of wheelbase	m2	mm	30
	4.34.1	Aisle width for pallets 1000×1200 crossways	Ast	mm	2280
	4.34.2	Aisle width for pallets 800×1200 crossways	Ast	mm	2150
	4.35	Turning radius	Wa	mm	1475
Performance data	5.1	Travel speed, laden/unladen		km/ h	4.5/5
	5.2	Lifting speed, laden/unladen		m/s	0.027/0.038
	5.3	Lowering speed, laden/unladen		m/s	0.059/0.039
	5.8	Max. gradeability, laden/unladen		%	5/16
	5.10	Service brake			Electromagnetic
Electric-engine	6.1	Drive motor rating S2 60 min		kW	0.75
	6.2	Lift motor rating at S3 15%		kW	0.84
	6.4	Battery voltage/nominal capacity		V/Ah	24/65
	6.5	Battery weight		kg	14.15x2
	Addition data	8.1	Type of drive control		
10.5		Steering design			Mechanical
10.7		Sound pressure level at the driver's ear		dB(A)	74

If there are improvements of technical parameters or configurations, no further notice will be given.
The diagram shown may contain non-standard configurations.



Option

No.	Optional items	EPT20-15ET2
1.1	Fork length	● 1150 ○ 800-2000
1.2	Fork width	● 560 ○ 685 ○ 520 ○ 460 ○ 420 ○ 600
1.3	Fork lowered height	● 80 ○ 60
2.1	Load wheel type	● Double ○ Single
2.2	Load wheel material	● PU ○ Trace PU
2.3	Drive wheel material	● PU
2.7	Battery capacity	● 65Ah ○ 85Ah
2.8	Charger	● 24V-10A Internal
2.9	Battery indicator	● With time
2.11	Attachments	● No ○ Electric scale ○ Storage box ○ Cargo backrest
2.17	Tiller	● Normal ○ 75mm shorter
3.3	Castor wheels	● No ○ Yes and not customized
3.16	Vertical handler working	● No ○ Yes and not customized

Note: ● Standard ○ Optional - Inconformity

WAELLER sp. z o.o. sp. k.

PL 83-034 Trąbki Wielkie, ul. Towarowa 1 • PL 80-457 Gdańsk, ul. Powstańców Wielkopolskich 11
Tel. (+48) 58 683 01 53, 58 691 27 15, 784 046 763, 601 642 339

biuro@ep-eq.pl • www.ep-eq.pl