



EPT20-20RA EPT20-RASH Electric Pallet Truck 2.0t

Ideal Option for Heavy Duty Long Distance Material Handling Tasks;
Driving Wheel Pressure Auto-compensation Patent Design Makes Operation Comfortable & Smooth;
Dual-Monitoring Electric Steering Offers Safer and Simpler Operations;
Driving Speed up to 12KM/H Greatly Improves the Efficiency of Long-distance Job.

EP EQUIPMENT CO.,LTD
www.ep-eq.eu



FEATURE

Performance

- The innovative AC system offers strong power, accurate control and excellent performance.
- High strength vertical gearbox provides reliable uptime.
- Low-noise and durable hydraulic unit, high quality cylinder as well as hose ensure the high reliability of hydraulic system.
- AMP connector and durable electric wires greatly reduce malfunctions of components.
- One-time formed fork, box type frame and adjustable linkage extends the life of undercarriage.
- Innovative Drive floating operation system(DFA) ensures the stability of the truck when steering at high speed.



Safety

- Two travel speed improves operator safety, with half speed when protection arm off and full speed when protection arm on.
- Emergency reverse belly button protects the operator from getting hurt.
- Emergency disconnecter will cut off power source to avoid accident when truck goes out of control.
- Anti-rolling back brake keeps the truck from skidding down when truck is out of control or travelling on ramp.
- Dual-monitoring power steering, the top safety design(electric steering).

Operation

- With the new design of ergonomical tiller head, all buttons can be reached conveniently & comfortably.
- Foldable platform reduces vibration which make operator comfortable when driving.
- Unique suspension driving floating system(DFA) design, make the operation easy and comfortable.
- When platform is folded, truck can work at low speed in smaller space.
- Ergonomical armrest guarantees easy operation & good resistance.
- Electric power steering, smooth & comfortable (EPS).

Maintenance

- AC traction motor, maintenance free.
- Hour meter and battery indicator remind the operator of battery charging.
- Easily remove the back cover by only loosing four bolts; Access to all key components for inspection, maintenance and replacement.
- Easy access for battery maintenance.
- Vertical motor makes the inspection & service much more convenient.
- Control system allows easy trouble-shooting.
- Low voltage lift cut off design protects batteries.

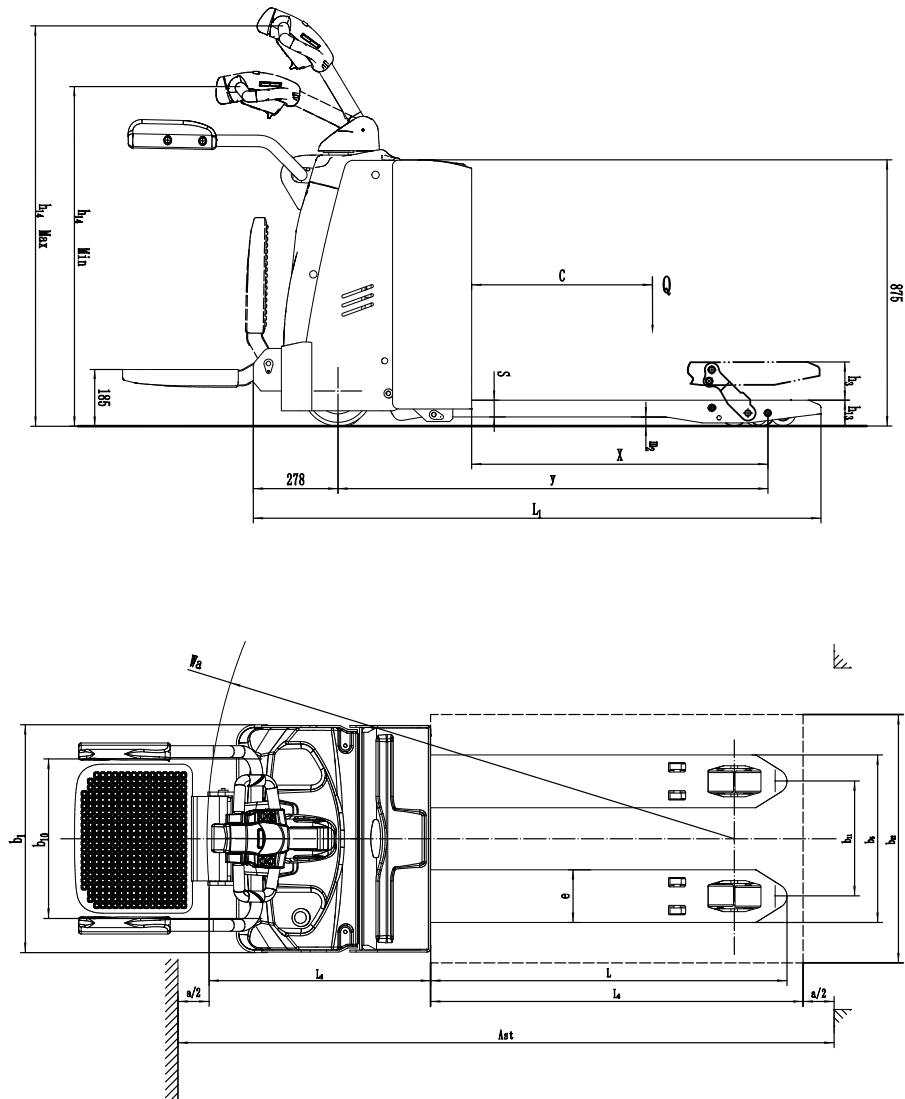


Electric Pallet Truck 2.0t

EPT20-20RA/EPT20-RASH

Distinguishing mark							
1.1	Manufacturer			EP		EP	
1.2	Model designation	EPT20-20RA			EPT20-RASH		
1.3	Drive unit	Electrics			Electrics		
1.4	Operator type	standing			standing		
1.5	rated capacity	Q	kg	2000		2000	
1.6	Load center distance	c	mm	600		600	
1.8	Load distance	x	mm	916 / 982	937 / 1003	916 / 982	937 / 1003
1.9	Wheelbase	y	mm	1418	1438	1418	1438
Weight							
2.1	Service weight (include battery)		kg	670		690	
2.2	Axle loading, laden driving side/loading side		kg	1066 / 1604		1076 / 1614	
2.3	Axle loading, unladen driving side/loading side		kg	546 / 124		556 / 134	
Types, Chassis							
3.1	Tyre type driving wheels/loading wheels			Polyurethane / Polyurethane		Polyurethane / Polyurethane	
3.2	Tyre size, driving wheels (diameter×width)		mm	Φ230x75		Φ230x75	
3.3	Tyre size, loading wheels (diameter×width)		mm	Φ85x70 / Φ83x115		Φ85x70 / Φ83x115	
3.4	Tyre size, caster wheels (diameter×width)		mm	Φ130x60		Φ130x60	
3.5	Wheels, number driving, caster/loading (x=drive wheels)		mm	1 x +2 / 4 / 1 x + 2 / 2		1 x +2 / 4 / 1 x + 2 / 2	
3.6	Track width, front, driving side	b ₁₀	mm	510		510	
3.7	Track width, rear, loading side	b ₁₁	mm	370 / 430 / 515		370 / 430 / 515	
Dimensions							
4.4	Lift height	h ₃	mm	125		125	
4.9	Height drawbar in driving position min./max.	h ₁₄	mm	1150 / 1470		1150 / 1470	
4.15	Lowered height	h ₁₃	mm	85		85	
4.19	Overall length	l ₁	mm	1860	1930	1860	1930
4.20	Length to face of forks	l ₂	mm	710		710	
4.21	Overall width	b ₁ / b ₂	mm	730		730	
4.22	Fork dimensions	s / e / l	mm	55x170x1150	55x170x1220	55x170x1150	55x170x1220
4.25	Outside width of the forks	b ₅	mm	540 / 600 / 685		540 / 600 / 685	
4.32	Ground clearance, center of wheelbase	m ₂	mm	30		30	
4.34.1	Aisle width for pallets 1000 × 1200 crossways	Ast	mm	2522		2522	
4.34.2	Aisle width for pallets 800 × 1200 lengthways	Ast	mm	2370		2370	
4.35	Turning radius	Wa	mm	1700		1700	
Performance data							
5.1	Travel speed, laden/ unladen	km/ h	km/h	5.5 / 6		9.0 / 12.0	
5.2	Lifting speed, laden/ unladen		m/ s	0.023 / 0.031		0.023 / 0.031	
5.3	Lowering speed, laden/ unladen		m/ s	0.043 / 0.032		0.043 / 0.032	
5.8	Max. gradeability, laden/unladen		%	8 / 16		8 / 16	
5.10	Service brake type			Electromagnetic		Electromagnetic	
Electric engine							
6.1	Drive motor rating S2 60 min		kW	1.5		2.5	
6.2	Lift motor rating at S3 15%		kW	1		1	
6.3	The maximum allowed size battery		mm	660 x 205 x 660		660 x 205 x 660	
6.4	Battery voltage/nominal capacity K5		V/ Ah	24 / 210		24 / 210	
6.5	Battery weight		kg	190		190	
Addition data							
8.1	Type of drive control			AC		AC	
10.5	Steering type			Mechanical/Electronic		Electronic	
10.7	Sound pressure level at the driver's ear		dB (A)	74		74	

If there are improvements of technical parameters or configurations, no further notice will be given.
The diagram shown may contain non-standard configurations.



Option

Options	EPT20-20RA	EPT20-RASH
Fork length	○1150/1220mm	○1150/1220mm
Fork width	○685/540mm	○685/540mm
Double load wheel	●	●
Single load wheel	●	●
Driving wheel	●PU ○Rubber	●PU —
Balance wheel	●	●
Battery capacity	○210Ah/240Ah	○210Ah/240Ah
Lateral change battery	○210Ah/240Ah	○210Ah/240Ah
Battery indicator without hour meter	○	○
Battery indicator with hour meter	●	●
Water auto-filling system	○	○
Vertical handler working	○	○
Half speed function in turning	—	●
Guard arm	●	●
Special backrest	○1220mm (48in)/1520mm (60in)	○1220mm (48in)/1520mm (60in)

Note: ● standard ○ option — NA

WAELLER sp. z o.o. sp. k.

PL 83-034 Trąbki Wielkie, ul. Towarowa 1 • PL 80-457 Gdańsk, ul. Powstańców Wielkopolskich 11
 Tel. (+48) 58 683 01 53, 58 691 27 15, 784 046 763, 601 642 339
 biuro@ep-eq.pl • www.ep-eq.pl