



# EST122

## Electric Stacker 1.2T

- Strong chassis
- Rigid mast
- Easy operation
- Efficient hydraulic system
- Compact duplex mast stacker for light duty application
- Rigid frame and lateral drive for high stability
- Simple design, made with industry-proven components
- Turtle button to operate in narrow spaces
- Easy charging trough integrated charger

**EP EQUIPMENT CO.,LTD**  
[www.ep-eq.eu](http://www.ep-eq.eu)

  
**Let's grow together**

**CE**

## FEATURES

### Strong chassis

The side impact beam, plates, and boxes make the chassis stronger and can greatly reduce stress and deformation caused by heavy load.



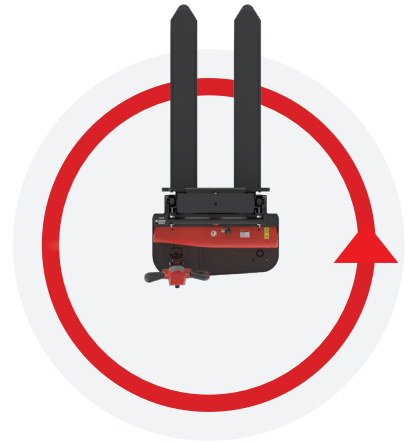
### Rigid mast

The rigidity of the mast is greatly improved by its beam structure to provide smooth lifting and stacking for daily operation.



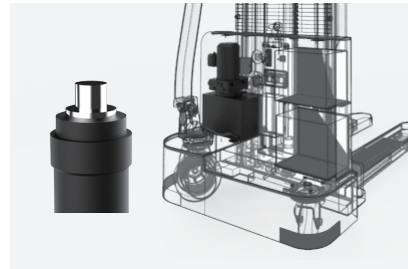
### Easy operation

The extra-long and offset tiller with the crawl speed button provides EST122 a better visibility and nimble maneuverability when operating in tight space.



### Efficient hydraulic system

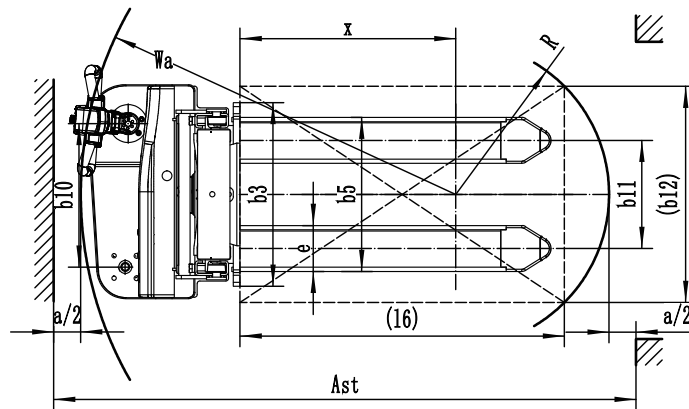
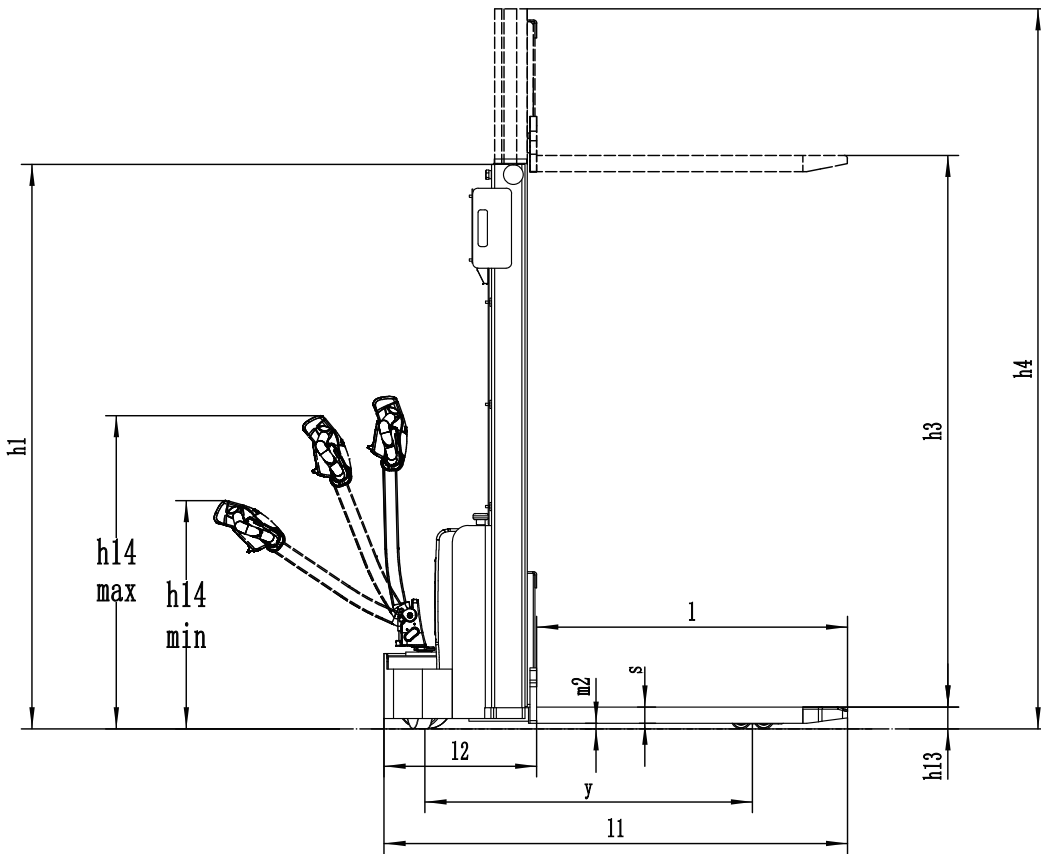
High quality hydraulic pump ensures very little noise, maximum efficiency, durability and shortens lifting time.



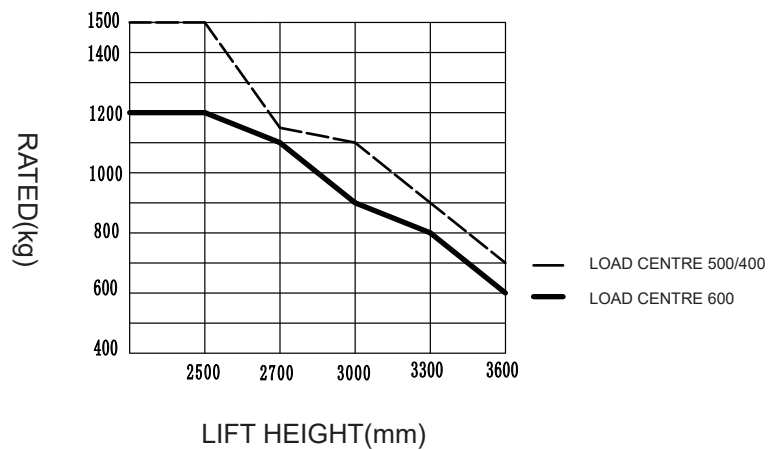
# Electric Stacker 1.2T

## EST122

Distinguishing mark	1.1	Manufacturer			EP
	1.2	Model designation			EST122
	1.3	Drive			Electric
	1.4	Operator type			Pedestrian
	1.5	Load capacity	Q	kg	1200
	1.6	Load center distance	c	mm	600
	1.8	Load distance, centre of drive axle to fork	x	mm	798
	1.9	Wheelbase	y	mm	1212
	Service weight	2.1	Service weight		kg
2.2		Axle loading, laden front/rear		kg	670/1125
2.3		Axle loading, unladen front/rear		kg	450/145
Tyres/chassis	3.1	Tyre type			Polyurethane
	3.2.1	Tyre size, front		mm	Ø210×70
	3.3.1	Tyre size, rear		mm	Ø74×72
	3.4	Additional wheels (castor wheels)		mm	Ø130×55
	3.5	Wheels, number front/rear (x=drive wheels)		mm	1x, 1/4
	3.6.1	Tread width, front	b10	mm	531
	3.7.1	Tread width, rear	b11	mm	405
	Dimensions	4.0	Max. Lift Height	H	mm
4.2		Retracted mast height	h1	mm	1856
4.3		Free lift	h2	mm	—
4.4		Lift height	h3	mm	2430
4.5		Height, mast extended	h4	mm	3071
4.6		Initial lift	h5	mm	—
4.9		Height of tiller handle in drive position min./max.	h14	mm	760/1140
4.10		Height of wheel arms	h8	mm	—
4.15		Lowered height	h13	mm	85
4.19		Overall length	l1	mm	1713
4.20		Length to face of forks	l2	mm	563
4.21		Overall width	b1/b2	mm	792
4.22		Fork dimensions	s/e/l	mm	60/ 170/ 1150
4.24		Fork carriage width	b3	mm	680
4.25		Distance between fork-arms	b5	mm	570
4.26		Distance between wheel arms/loading surfaces	b4	mm	—
Performance data		4.31	Ground clearance, laden, below mast	m1	mm
	4.32	Ground clearance, center of wheelbase	m2	mm	25
	4.34.1	Aisle width for pallets 1000×1200 crossways	Ast	mm	2290
	4.34.2	Aisle width for pallets 800×1200 crossways	Ast	mm	2225
	4.35	Turning radius	Wa	mm	1458
	5.1	Travel speed, laden/unladen		km/ h	4.2/4.5
	5.2	Lifting speed, laden/unladen		m/s	0.10/0.14
	5.3	Lowering speed, laden/unladen		m/s	0.10/0.10
	5.8	Max. gradeability, laden/unladen		%	3/10
	5.10	Service brake			Electromagnetic
Electric-engine	6.1	Drive motor rating S2 60 min		kW	0.75
	6.2	Lift motor rating at S3 15%		kW	2.2
	6.4	Battery voltage/nominal capacity		V/Ah	2x12V/85Ah
	6.5	Battery weight		kg	2x24
	Addition data	8.1	Type of drive control		
10.5		Steering design			Mechanical
10.7		Sound pressure level at the driver's ear		dB(A)	74



RATDE CAPACITIES GRAPH



## Mast Option:

Mast types	Lift height h3+h13 (mm)	Height, mast lowered h1 (mm)	Free lift h2 (mm)	Height, mast extended h4 (mm)
2-Standard Mast	2516	1856	—	3071
	2716	1956	—	3271
	3016	2106	—	3571
	3316	2256	—	3871

## Option:

Optional items	EST122
Fork width	○570mm/685mm
Battery capacity	85Ah/105Ah○China
Special backrest	—
Battery indicator with hour meter	●
Traction Motor	0.75Kw, DC ●China
Pump Motor	2.2Kw, DC ●China
Driving wheel	○PU wheel with Pattern
half speed function in turning	—
Mast screen	●iron mesh
Accelerator	DTJ07409B-H ●China

Note: ● standard ○ option — NA

**WAELLER sp. z o.o. sp. k.**

PL 83-034 Trąbki Wielkie, ul. Towarowa 1 • PL 80-457 Gdańsk, ul. Powstańców Wielkopolskich 11

Tel. (+48) 58 683 01 53, 58 691 27 15, 784 046 763, 601 642 339

biuro@ep-eq.pl • www.ep-eq.pl