



JX2-1

Order-picking Truck 0.7t

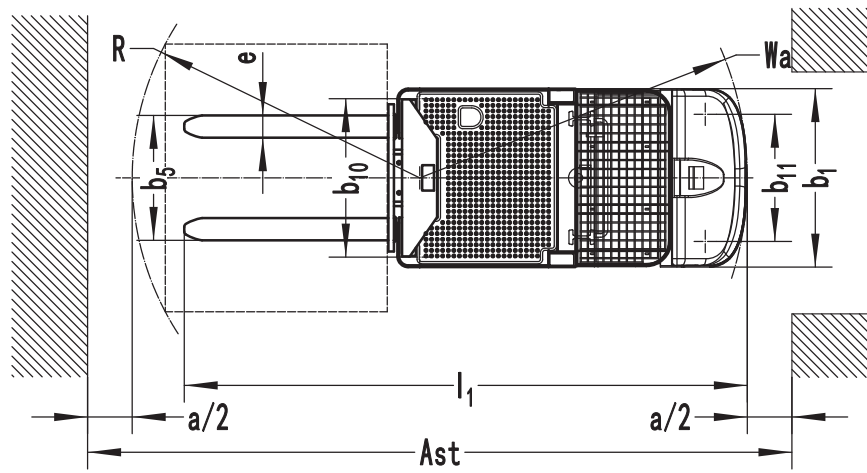
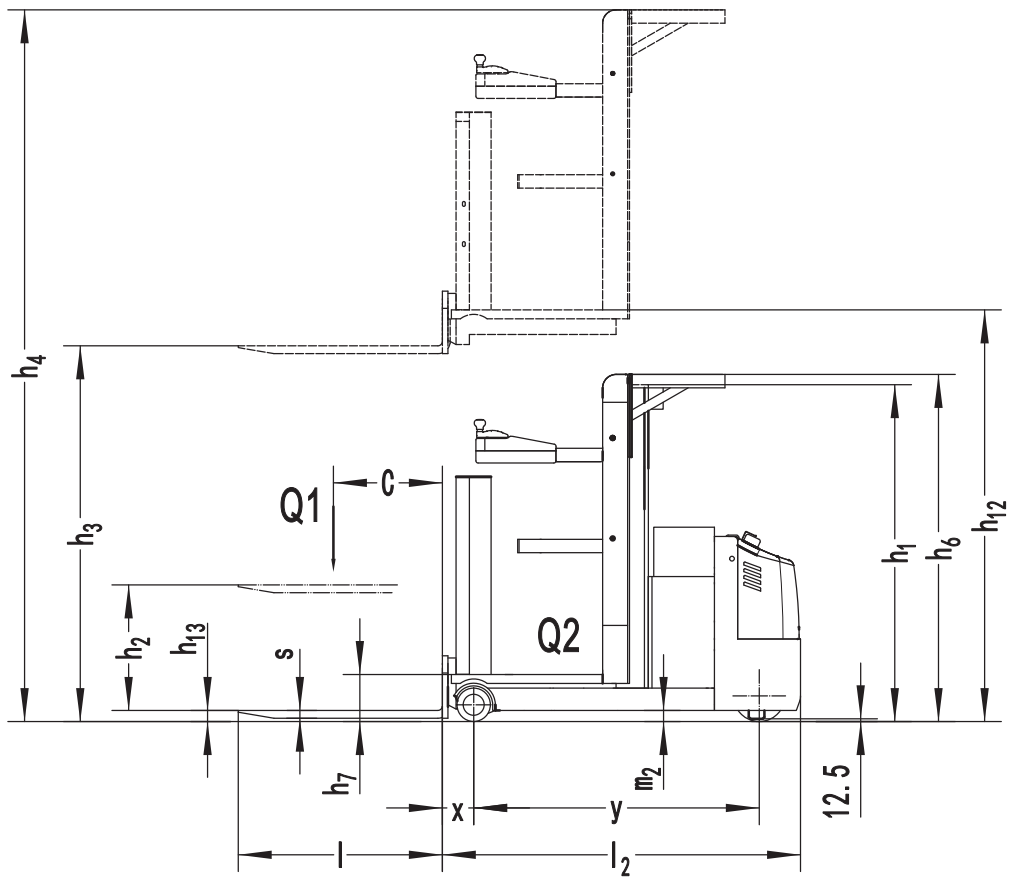
Compact design medium level order picker for both box picking and pallet operating;
Dual lifting system, wider operating view

EP EQUIPMENT CO.,LTD
www.ep-eq.eu

Order-picking Truck 0.7t JX2-1

Distinguishing mark	1.1	Manufacturer			EP
	1.2	Model designation			JX2-1
	1.3	Drive			Electric
	1.4	Operator type			Order-picker
	1.5	Load capacity	Q	kg	700/136
	1.6	Load center distance	c	mm	600
	1.8	Load distance, centre of drive axle to fork	x	mm	140
	1.9	Wheelbase	y	mm	1280
	Service weight	2.1	Service weight		kg
2.2		Axle loading, laden front/rear		kg	1800/720
2.3		Axle loading, unladen front/rear		kg	700/920
Tyres/chassis	3.1	Tyre type			Polyurethane/Solid rubber
	3.2	Tyre size, front		mm	Φ150×90
	3.3	Tyre size, rear		mm	Φ230×75
	3.4	Additional wheels (castor wheels)		mm	Φ74×48
	3.5	Wheels, number front/rear (x=drive wheels)		mm	1x, 2/2
	3.6	Tread width, front	b10	mm	710
	3.7	Tread width, rear	b11	mm	570
Dimensions	4.2	Retracted mast height	h1	mm	1510
	4.3	Free lift	h2	mm	737
	4.4	Lift height	h3	mm	1063
	4.5	Height, mast extended	h4	mm	2560
	4.7	Height of overhead guard (cabin)	h6	mm	1560
	4.8	Seat height/standing height	h7	mm	220
	4.14	Stand height, elevated	h12	mm	1220
	4.15	Lowered height	h13	mm	63
	4.19	Overall length	l1	mm	2520
	4.20	Length to face of forks	l2	mm	1605
	4.21	Overall width	b1/b2	mm	800
	4.22	Fork dimensions	s/e/l	mm	35/100/915
	4.25	Distance between fork-arms	b5	mm	560
	4.32	Ground clearance, center of wheelbase	m2	mm	50
	Performance data	4.34.1	Aisle width for pallets 1000×1200 crossways	Ast	mm
4.34.2		Aisle width for pallets 800×1200 crossways	Ast	mm	3070
4.35		Turning radius	Wa	mm	1470
5.1		Travel speed, laden/unladen		km/h	8/8
5.2		Lifting speed, laden/unladen		m/s	0.13/0.16
5.3		Lowering speed, laden/unladen		m/s	0.16/0.18
5.8		Max. gradeability, laden/unladen		%	0
Electric-engine	5.10	Service brake			Electromagnetic
	6.1	Drive motor rating S2 60 min		kW	2.5
	6.2	Lift motor rating at S3 15%		kW	3
	6.4	Battery voltage/nominal capacity		V/Ah	24/360
	6.5	Battery weight		kg	330
Addition data	8.1	Type of drive control			AC
	10.5	Steering design			Electronic
	10.7	Sound pressure level at the driver's ear		dB(A)	74

If there are improvements of technical parameters or configurations, no further notice will be given.
The diagram shown may contain non-standard configurations.



Option

No.	Optional items	JX2-1
1.1	Fork dimension	●800*600, 2A, 100*35*920 ○800*600, 2A, 100*35*1070○800*600, 2A, 100*35*1200
2.1	Load wheel type	●Single
2.2	Load wheel material	●Rubber
2.3	Drive wheel material	●PU
2.7	Battery capacity	●No○360AH
2.8	Charger	●No○24V-50A External
2.9	Battery indicator	●With time
2.12	Safe hook	●No
2.13	Traction pin	●No
2.14	Electrostatic chain	●No
2.15	Entry roller	●No
3.3	Castor wheels	●Yes and not customized
3.4	Water auto-filling system	●No
3.7	Warning lamp	●Rear warning light
3.9	Blue lamp	●No
3.12	Hummer	●Drop buzzer
3.18	Guide wheel	●No
3.19	USB interface	●No
4.1	Battery side pull function	●Yes and not customized
4.7	Overhead guard	●No
5.1	Battery side pull attachment	●No

Note: ● standard ○ option — NA

WAELLER sp. z o.o. sp. k.

PL 83-034 Trąbki Wielkie, ul. Towarowa 1 • PL 80-457 Gdańsk, ul. Powstańców Wielkopolskich 11

Tel. (+48) 58 683 01 53, 58 691 27 15, 784 046 763, 601 642 339

biuro@ep-eq.pl • www.ep-eq.pl