



JX2-4

Order-picking Truck 1.0t

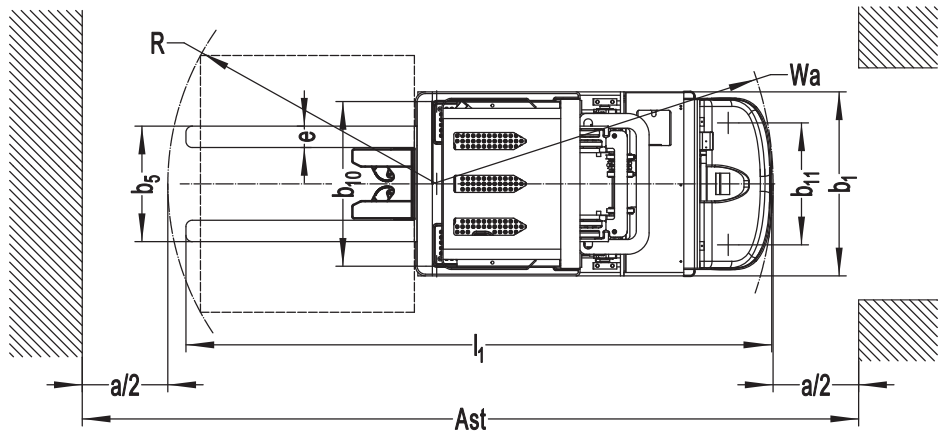
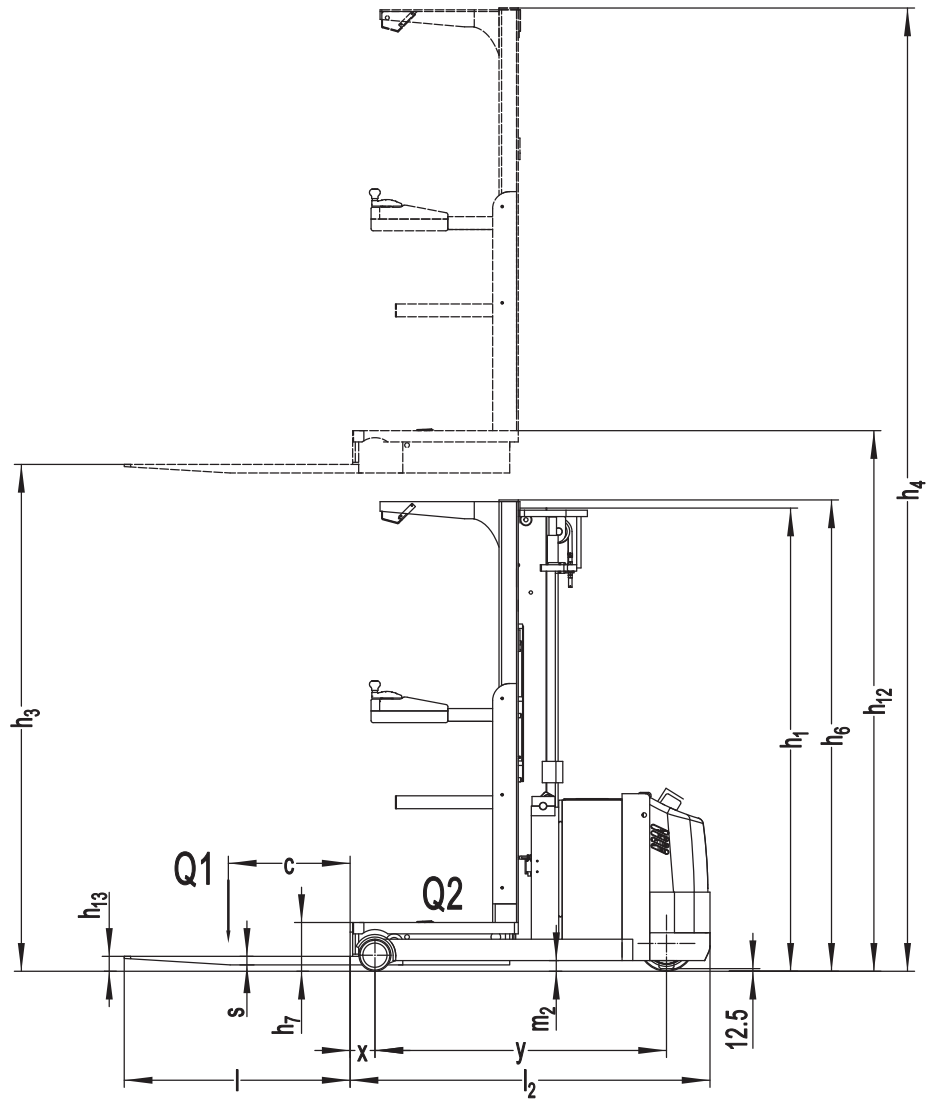
Meet exactly the same operators' preference as high lifting order picker
Medium level order picker for various applications

EP EQUIPMENT CO.,LTD
www.ep-eq.eu

Order-picking Truck 1.0t

Distinguishing mark	1.1	Manufacturer			EP	EP
	1.2	Model designation			JX2-4(3200)	JX2-4(3600)
	1.3	Drive			Electric	Electric
	1.4	Operator type			Order-picker	Order-picker
	1.5	Load capacity	Q	kg	1000/136	1000/136
	1.6	Load center distance	c	mm	600	600
	1.8	Load distance, centre of drive axle to fork	x	mm	115	115
	1.9	Wheelbase	y	mm	1365	1365
	Service weight	2.1	Service weight			1900
2.2		Axle loading, laden front/rear			2170/730	2205/760
2.3		Axle loading, unladen front/rear			730/1170	765/1200
Tyres/chassis	3.1	Tyre type			Polyurethane/Solid rubber	Polyurethane/Solid rubber
	3.2	Tyre size, front		mm	Φ165×120	Φ165×120
	3.3	Tyre size, rear		mm	Φ260×105	Φ260×105
	3.4	Additional wheels (castor wheels)		mm	Φ74×48	Φ74×48
	3.5	Wheels, number front/rear (x=drive wheels)		mm	1x, 2/2	1x, 2/2
	3.6	Tread width, front	b10	mm	770	770
	3.7	Tread width, rear	b11	mm	570	570
Dimensions	4.2	Retracted mast height	h1	mm	2170	2360
	4.3	Free lift	h2	mm	—	—
	4.4	Lift height	h3	mm	3200	3600
	4.5	Height, mast extended	h4	mm	5410	5975
	4.7	Height of overhead guard (cabin)	h6	mm	2270	2270
	4.8	Seat height/standing height	h7	mm	220	220
	4.14	Stand height, elevated	h12	mm	3360	3815
	4.15	Lowered height	h13	mm	63	63
	4.19	Overall length	l1	mm	2750	2750
	4.20	Length to face of forks	l2	mm	1680	1680
	4.21	Overall width	b1/b2	mm	860	860
	4.22	Fork dimensions	s/e/l	mm	40/100/1070	40/100/1070
	4.25	Distance between fork-arms	b5	mm	540	540
	4.32	Ground clearance, center of wheelbase	m2	mm	50	50
Performance data	4.34.1	Aisle width for pallets 1000×1200 crossways	Ast	mm	3100	3100
	4.34.2	Aisle width for pallets 800×1200 crossways	Ast	mm	3150	3150
	4.35	Turning radius	Wa	mm	1600	1600
	5.1	Travel speed, laden/unladen		km/h	8/8	8/8
	5.2	Lifting speed, laden/unladen		m/s	0.13/0.16	0.13/0.16
	5.3	Lowering speed, laden/unladen		m/s	0.16/0.18	0.16/0.18
	5.8	Max. gradeability, laden/unladen		%	0	0
Electric-engine	5.10	Service brake			Electromagnetic	Electromagnetic
	6.1	Drive motor rating S2 60 min		kW	4	4
	6.2	Lift motor rating at S3 15%		kW	3	3
	6.4	Battery voltage/nominal capacity		V/Ah	24/360	24/360
	6.5	Battery weight		kg	330	330
Addition data	8.1	Type of drive control			AC	AC
	10.5	Steering design			Electronic	Electronic
	10.7	Sound pressure level at the driver's ear		dB(A)	70	70

If there are improvements of technical parameters or configurations, no further notice will be given.
The diagram shown may contain non-standard configurations.



Option

No.	Optional items	JX2-4
1.1	Fork dimension	●1000*600, 2A, 100*40*1070 ○1000*600, 2A, 100*40*1200
2.1	Load wheel type	●Single
2.2	Load wheel material	●Rubber
2.3	Drive wheel material	●PU
2.7	Battery capacity	●No○360AH
2.8	Charger	●No○24V-50A External
2.9	Battery indicator	●With time
2.12	Safe hook	●Yes and not customized
2.13	Traction pin	●No
2.14	Electrostatic chain	●No
2.15	Entry roller	●No
3.3	Castor wheels	●Yes and not customized
3.4	Water auto-filling system	●No
3.7	Warning lamp	●Rear warning light
3.9	Blue lamp	●No
3.12	Hummer	●Drop buzzer
3.18	Guide wheel	●No
3.19	USB interface	●No
4.1	Battery side pull function	●Yes and not customized
4.7	Overhead guard	●Yes and not customized
5.1	Battery side pull attachment	●No

Note: ● standard ○ option — NA

WAELLER sp. z o.o. sp. k.

PL 83-034 Trąbki Wielkie, ul. Towarowa 1 • PL 80-457 Gdańsk, ul. Powstańców Wielkopolskich 11

Tel. (+48) 58 683 01 53, 58 691 27 15, 784 046 763, 601 642 339

biuro@ep-eq.pl • www.ep-eq.pl